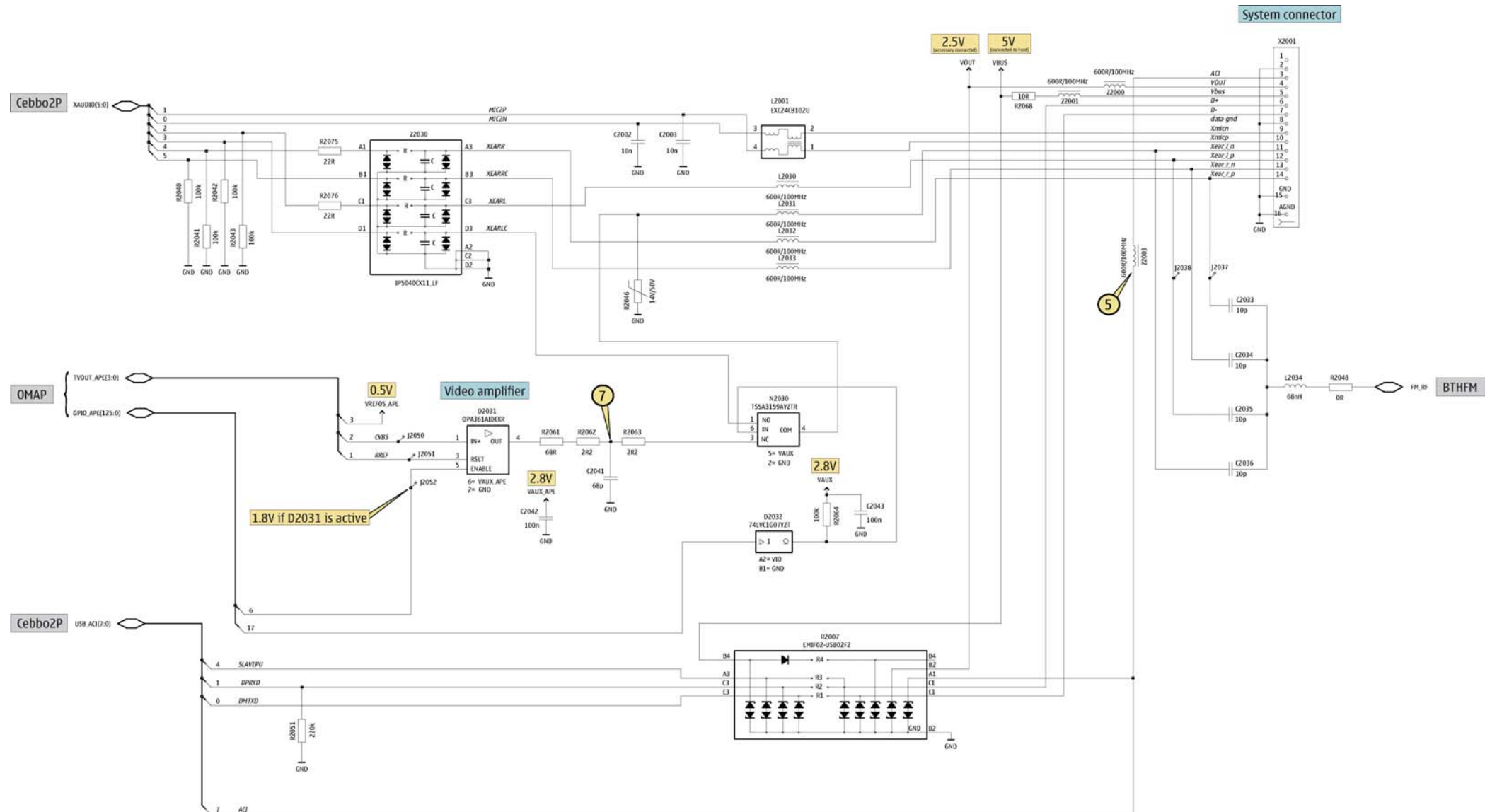
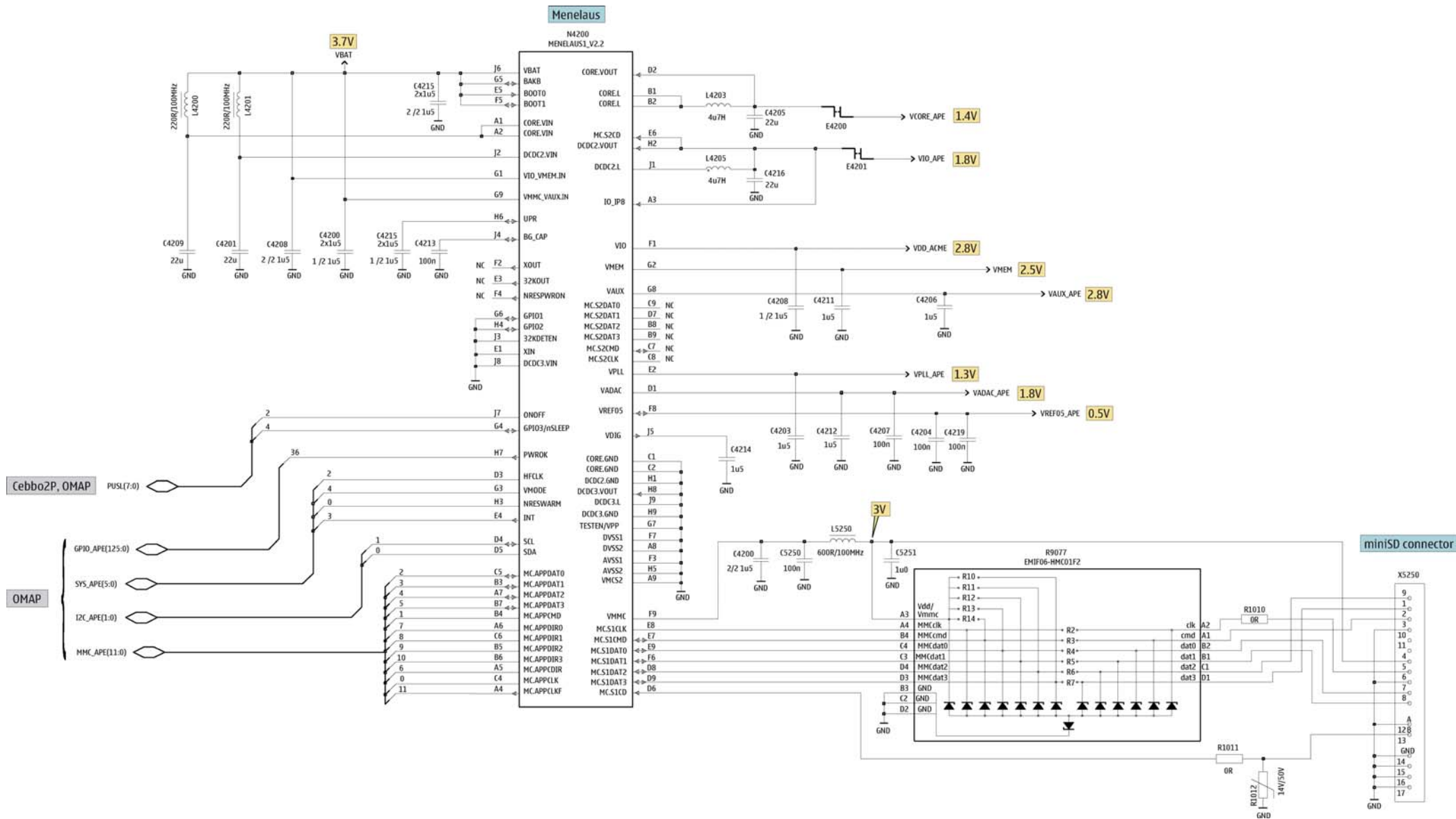


■ System connector

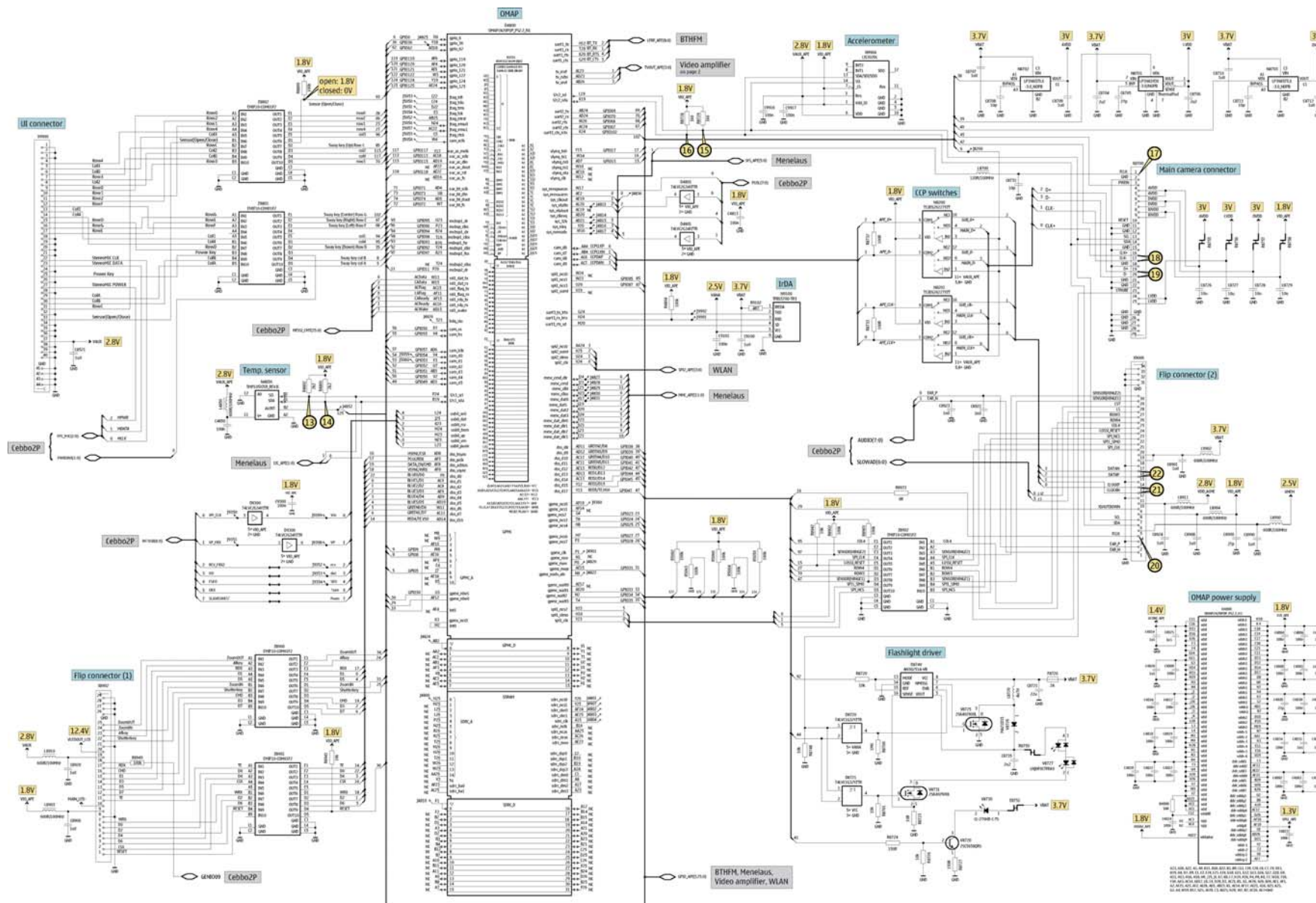




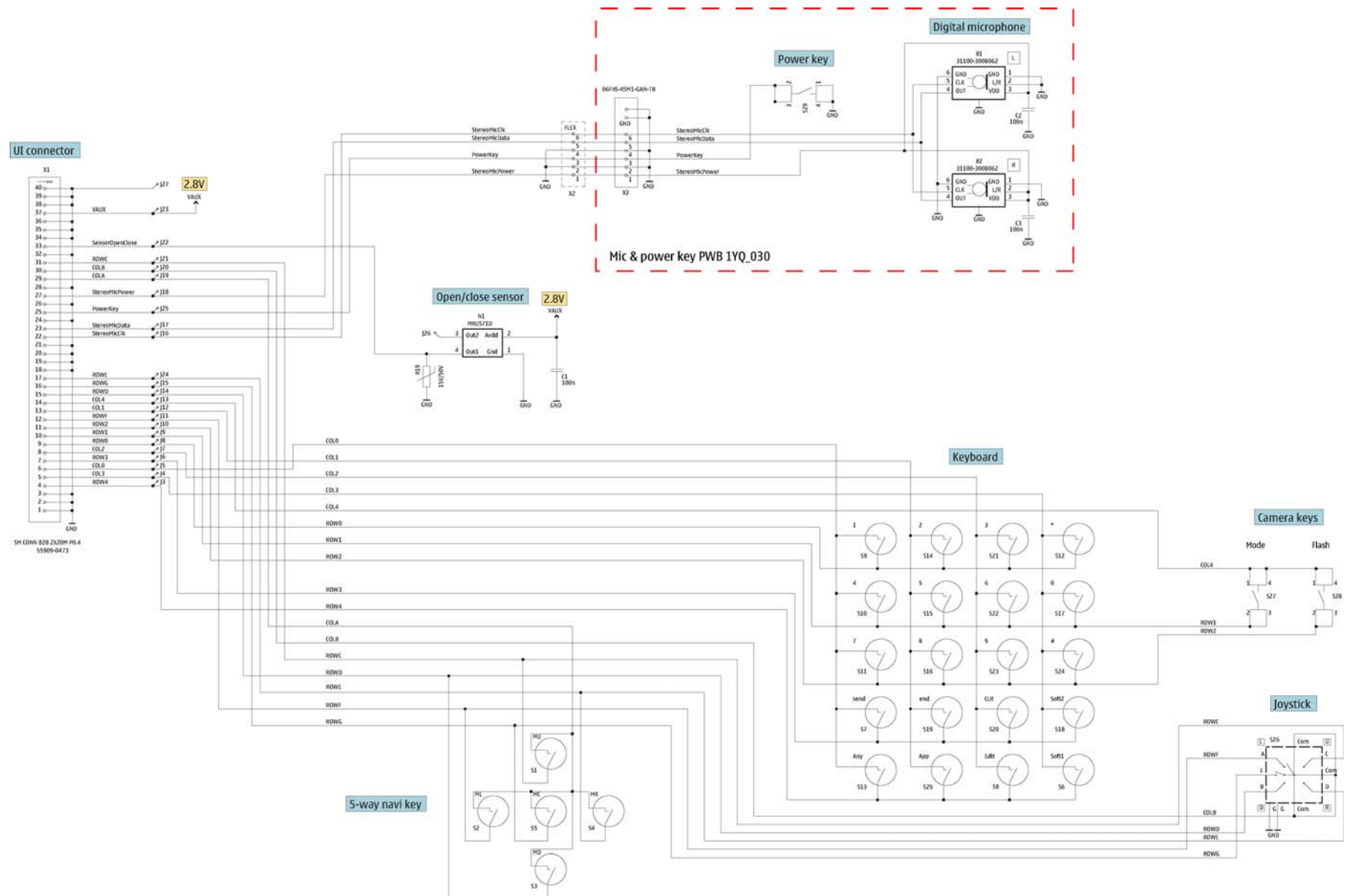
■ Menelaus



■ OMAP

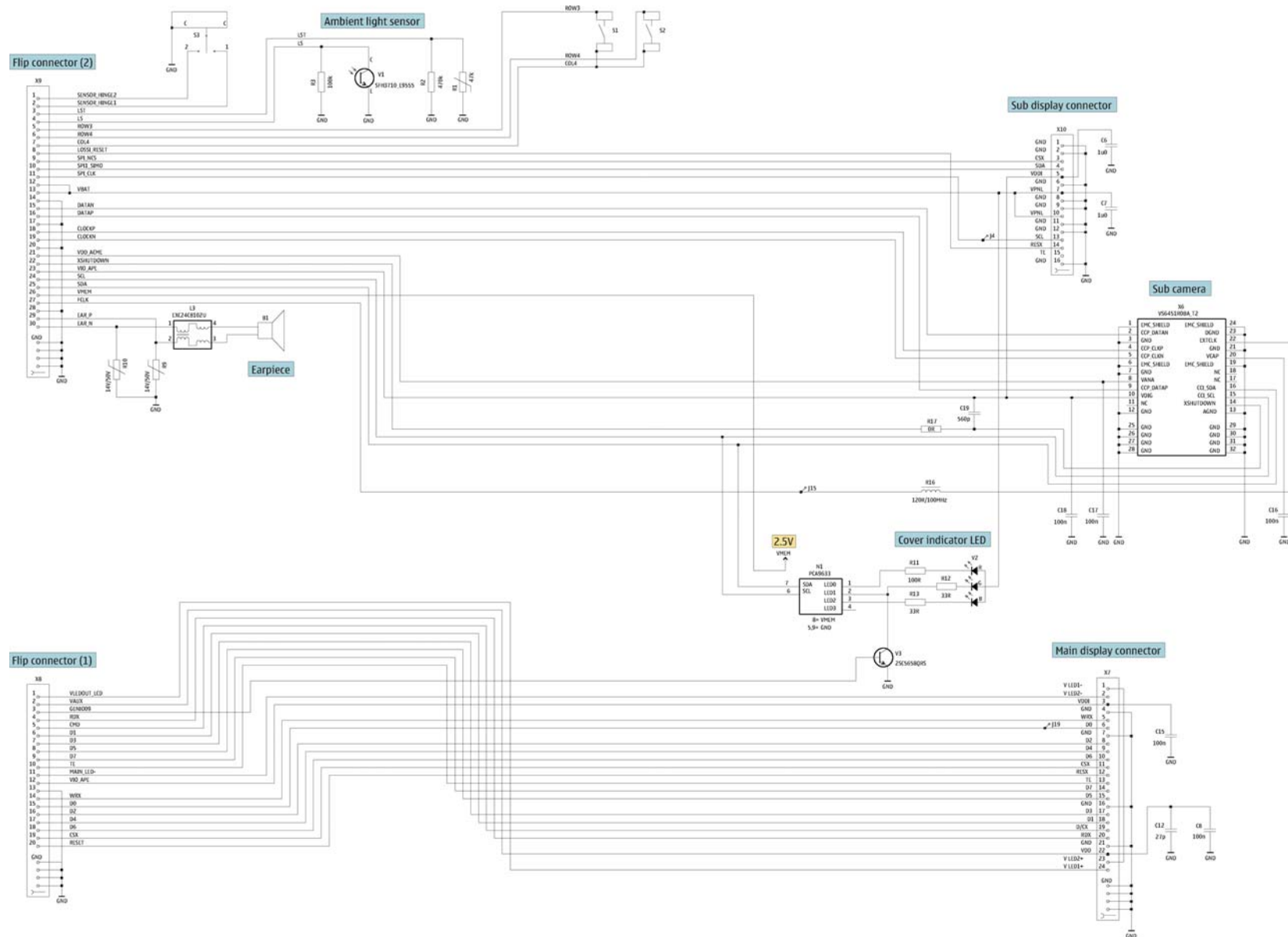


■ User Interface



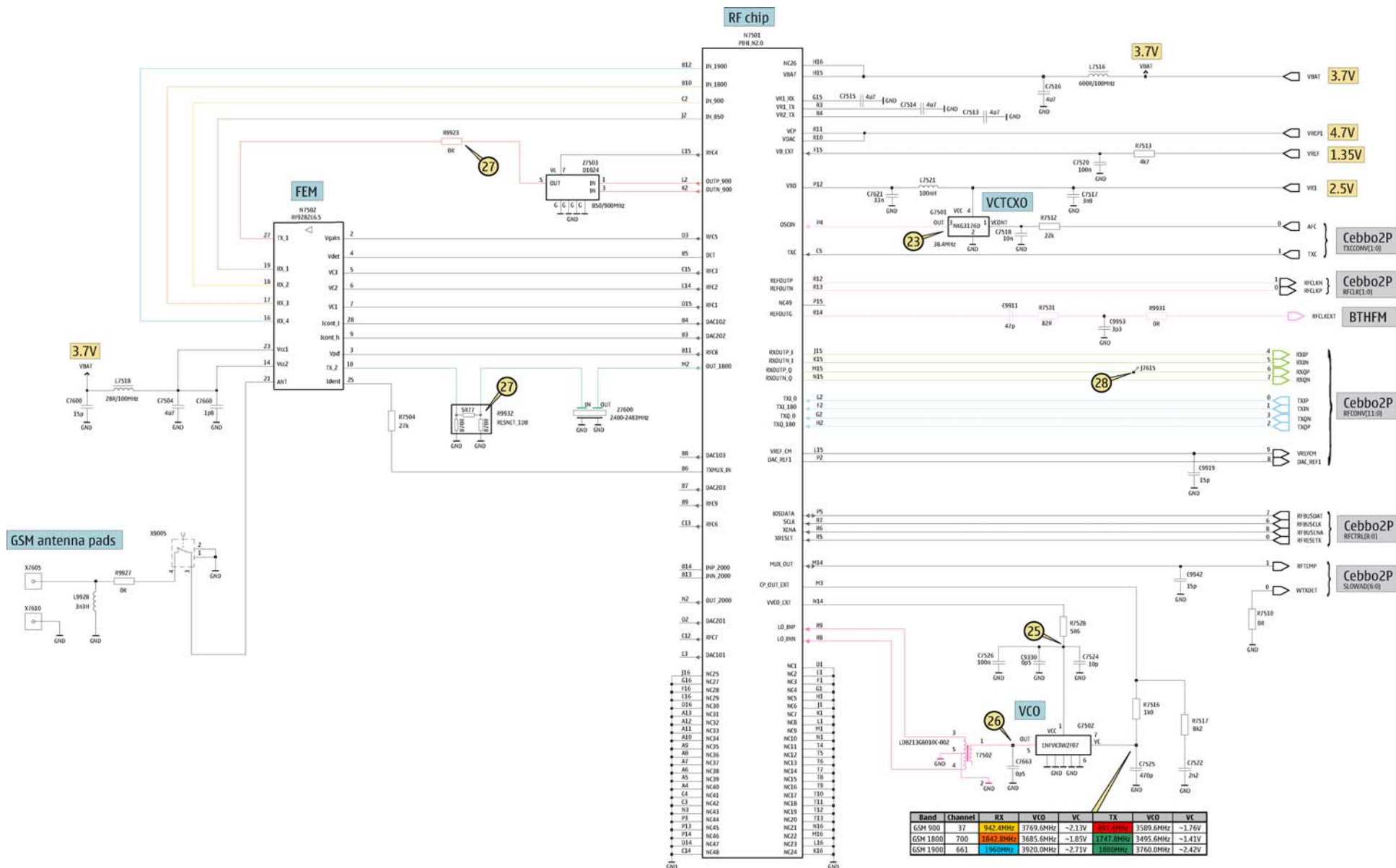


■ Flip PWB



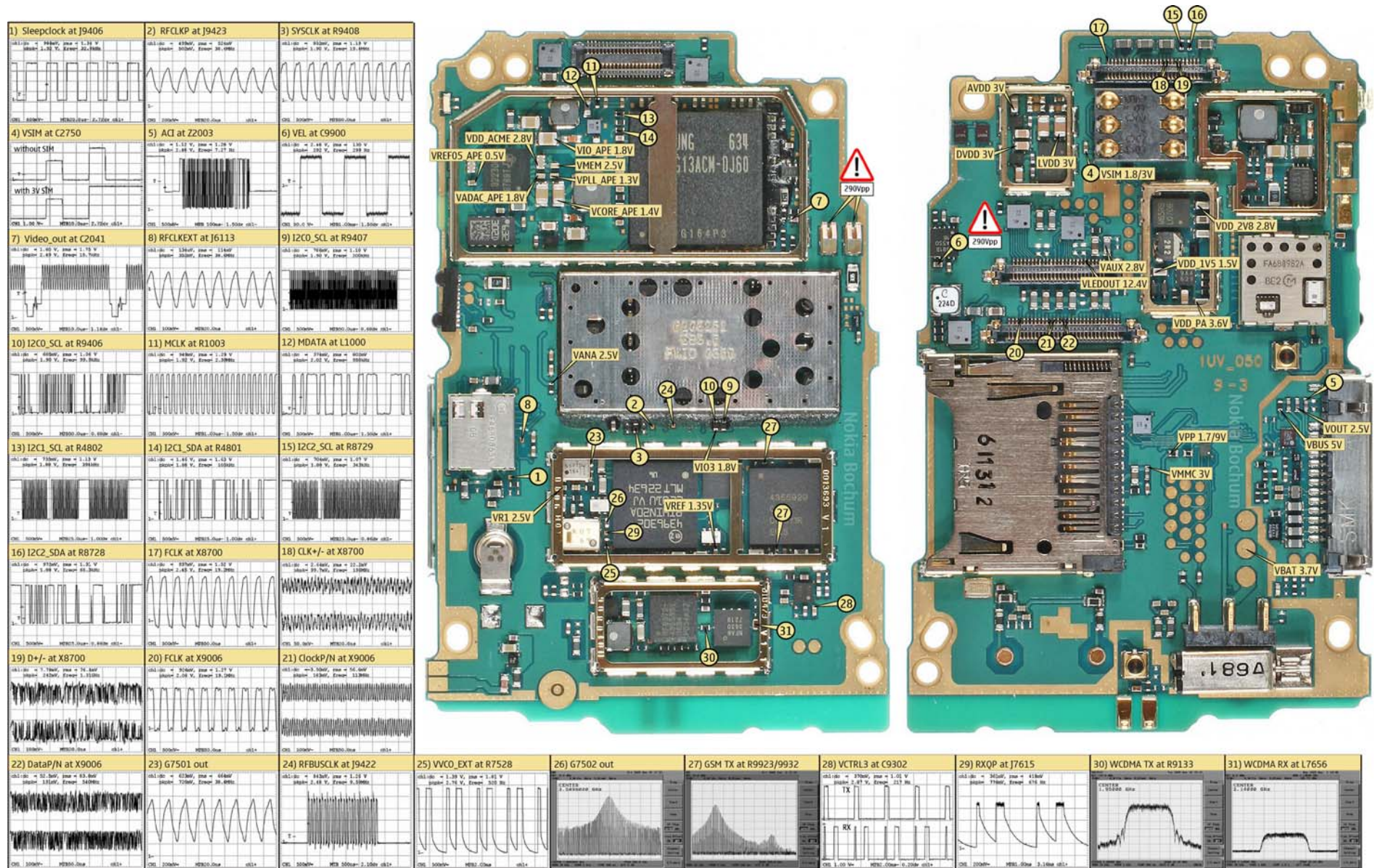


RF part





■ Signal overview





■ Component finder

C	7541	15	J1115	E9	18904	111	88727	D14
C1001	F15	7587	F4	J3116	K11	18910	G12	88728
C2000	G4	7600	I6	J1117	K11	18911	H13	88729
C2002	D7	7612	H5	J1118	H9	18912	I14	88732
C2003	D7	7621	I6	J1119	I14	18913	J15	88731
C2033	G5	7660	J6	J4801	H15	19902	G11	88748
C2034	G5	7663	I6	J4802	H15	19928	G8	88800
C2035	G5	7664	J6	J4803	H15	19929	J5	88801
C2036	G5	7671	D16	J4804	I14	19933	F3	88802
C2039	F4	76822	K32	J4810	F12	H		88933
C2041	H3	76704	H5	J4813	I14	M2150	E4	88933
C2042	H3	76705	I4	J4814	I15	N		88941
C2051	F7	76706	H15	J4815	H14	N2030	C1	88942
C2151	F4	76707	H15	J4816	H15	N2150	D11	88949
C2152	F5	76708	H15	J4817	D13	N4200	C14	89077
C2153	F5	76709	H15	J4820	F12	N4850	H5	89102
C2154	F4	76710	I4	J4822	F12	N6301	G3	89133
C2156	F4	76711	I4	J4824	H12	N6300	E12	89404
C2157	F4	76712	I4	J4825	H15	N6301	F33	89406
C2158	F15	76721	D14	J4826	I14	N6302	C13	89407
C2165	D11	76726	H15	J4827	F14	N6303	F32	89408
C2170	F4	76727	E16	J4828	E14	N7501	F7	89900
C2171	F5	76728	F16	J4829	E14	N7502	I7	89923
C2172	G5	76729	F16	J4830	E14	N7503	G4	89927
C2256	H14	76731	I4	J4833	I14	N7504	F5	89929
C4200	C14	76735	C14	J4836	F13	N8200	H35	89931
C4201	D15	76736	C14	J4837	F13	N8201	H35	89932
C4203	D14	76737	C14	J4838	F13	N8201	H34	
C4204	C14	76738	C14	J4839	F13	N8201	H35	
C4205	D13	76739	C14	J4840	F13	N8201	H34	
C4206	C15	76740	G12	J5051	G12	N9100	E11	V
C4207	H5	76741	G12	J5052	H13	N9101	G10	W6500
C4208	D14	76742	G12	J5053	H13	N9101	G11	W7500
C4209	D13	76743	H13	J5054	G12	N9101	D12	W8700
C4211	D14	76744	H13	J5055	G13	N9101	C13	W8725
C4212	D14	76745	C11	J5056	H13	R		W8726
C4213	C15	76746	C11	J5057	H13	R		W8727
C4214	C15	76747	C11	J5058	H13	R		W8728
C4215	C15	76748	C11	J5059	H13	R		W8729
C4216	D14	76749	K10	J5060	F7	R1010	G7	X
C4217	H15	76750	C11	J5113	G6	X2001	B7	Z
C8000	F14	76751	J4	J6401	H13	R1012	G6	Z2060
C8001	G15	76752	J5	J6402	E12	R2007	C6	Z2070
C8002	H12	76753	J6	J6403	E12	R2007	C6	Z2070
C8003	H12	76754	J6	J6404	E12	R2007	C6	Z2070
C8004	F14	76755	J4	J6405	C10	R2041	D7	Z6402
C8006	F13	76756	K33	J7615	I6	R2042	D7	Z6403
C8007	F12	76757	D13	J8200	H13	R2043	D7	Z6405
C8008	G12	76758	D13	J8201	H13	R2043	D7	Z6405
C8013	H15	76759	E12	J9351	K11	R2048	C5	X7610
C8014	G12	76760	F6	J9352	F15	R2051	D8	X8500
C8016	F13	76761	H5	J9353	G15	R2060	H8	X8501
C8017	G12	76762	C13	J9354	G15	R2061	H13	X8700
C8018	H12	76763	D13	J9360	H14	R2062	H13	X8902
C8019	H12	76764	H8	J9368	K11	R2063	H13	X9005
C8020	F15	76765	J5	J9399	K11	R2064	C8	X9006
C8021	G15	76766	H8	J9403	H13	R2068	D9	X9101
C8022	H15	76767	H8	J9404	H7	R2070	F5	Z
C8023	H4	76768	D5	J9406	C7	R2071	G10	Z2000
C8024	F13	76769	D	J9406	C12	R2075	D7	Z2001
C8025	F15	76770	G14	J9420	F4	R2076	D7	Z2003
C8026	F14	76771	I14	J9421	F4	R2153	H4	Z2000
C8028	F15	76772	C8	J9422	H8	R2165	D11	Z7501
C8030	G15	76773	G14	J9423	H8	R2165	D11	Z7501
C8032	H13	76774	I14	J9991	C11	R4001	F13	Z7600
C8033	H4	76775	D14	J9992	C11	R4002	F15	Z8001
C8034	F13	76776	E15	L	R4804	C11	Z8802	D16
C8035	F14	76777	C13	L1000	F15	R5002	I2	Z8900
C8036	F14	76778	K11	L2000	G3	R5004	H3	Z8901
C8038	H15	76779	L	L2001	F7	R5050	H16	Z8902
C8050	H5	76780	G8	L2050	G6	R5060	I2	Z9004
C8250	F7	76781	H3	L2031	F7	R5063	H13	Z9065
C8251	G7	76782	L	L2042	G6	R6109	C7	
C6100	D8	77000	C14	L2053	C8	R6120	H7	
C6101	D8	78720	D14	L2054	D5	R6121	C9	
C6150	C9	78152	F8	L2152	F8	R6162	H7	
C6157	C7	76701	E7	L2153	H4	R6196	C7	
C6158	C7	76702	E7	L2154	H4	R6197	C7	
C6300	E12	76400	C6	L2155	J4	R6304	E11	
C6301	F12	76401	C6	L2156	E14	R6305	E11	
C6302	D13	76500	J4	L2167	H5	R6306	F11	
C6304	F13	76501	H5	L2168	H5	R6400	C10	
C6305	E12	76502	H3	L2170	I4	R6491	E10	
C6306	E13	76600	F7	L4200	D13	R7504	H8	
C6421	F13	76805	D6	L4201	C13	R7505	G4	
C6424	E13	76806	D6	L4202	C13	R7510	H5	
C6425	F13	76807	D5	L4203	F15	R7512	E7	
C7504	H8	78102	H10	L4850	H15	R7513	H6	
C7510	H4	78103	E10	L5200	F7	R7516	C7	
C7513	E7	78104	F10	L5300	F12	R7517	E7	
C7514	H8	78105	E10	L6451	H12	R7524	E5	
C7515	G6	78106	F10	L7515	F4	R7528	H6	
C7516	G6	78107	H6	L7516	G6	R7531	C5	
C7517	C7	78108	F6	L7518	H8	R7921	G4	
C7518	F7	78109	E7	L7521	F6	R8700	D13	
C7520	H6	78110	F10	L7556	H4	R8701	E15	
C7521	F7	78111	H6	L7557	F4	R8720	D13	
C7524	F6	78112	E7	L8700	H4	R8723	D13	
C7525	F7	78113	E6	L8720	H15	R8724	D14	
C7526	E6	78114	G13	L8903	H13	R8726	D14	

