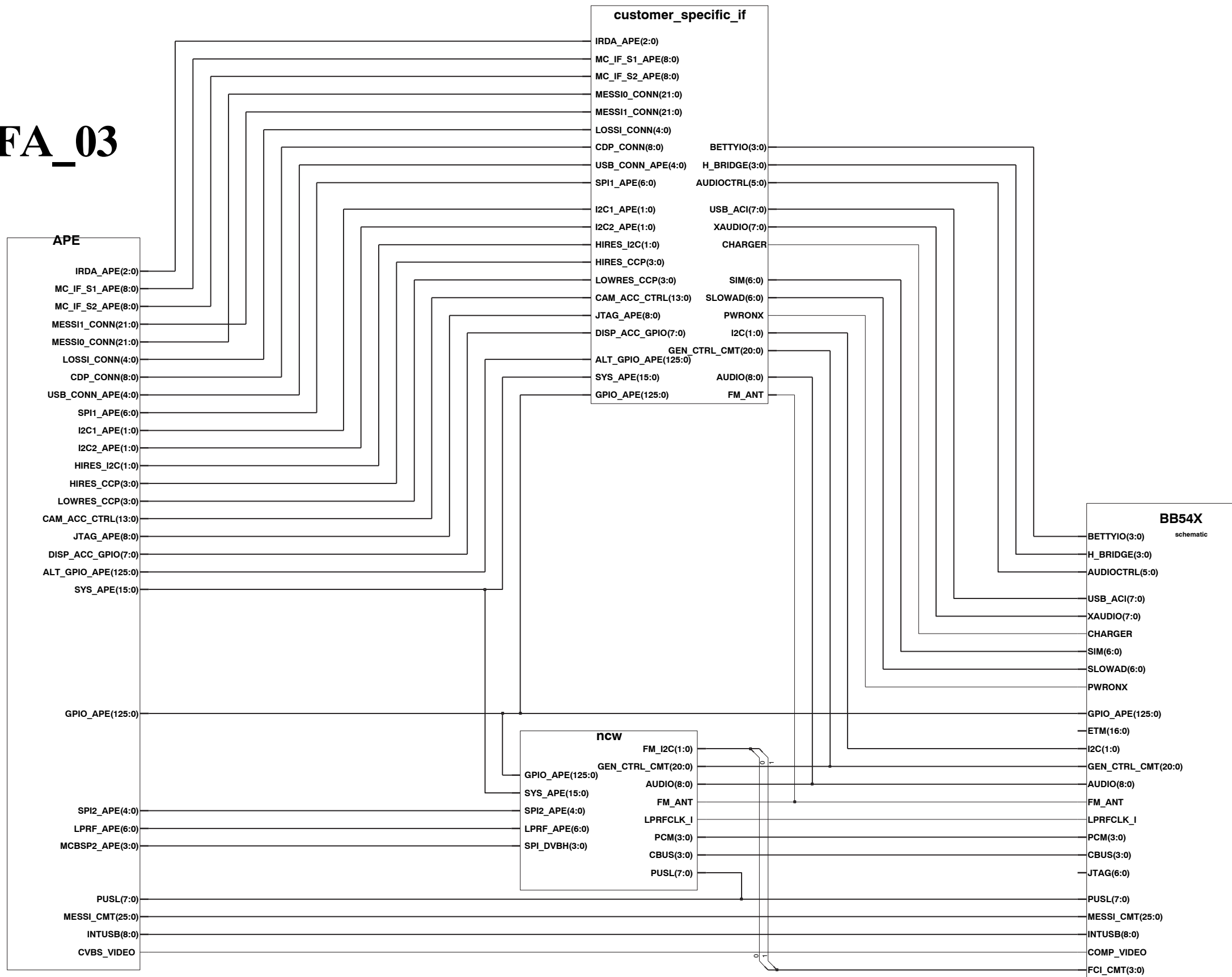
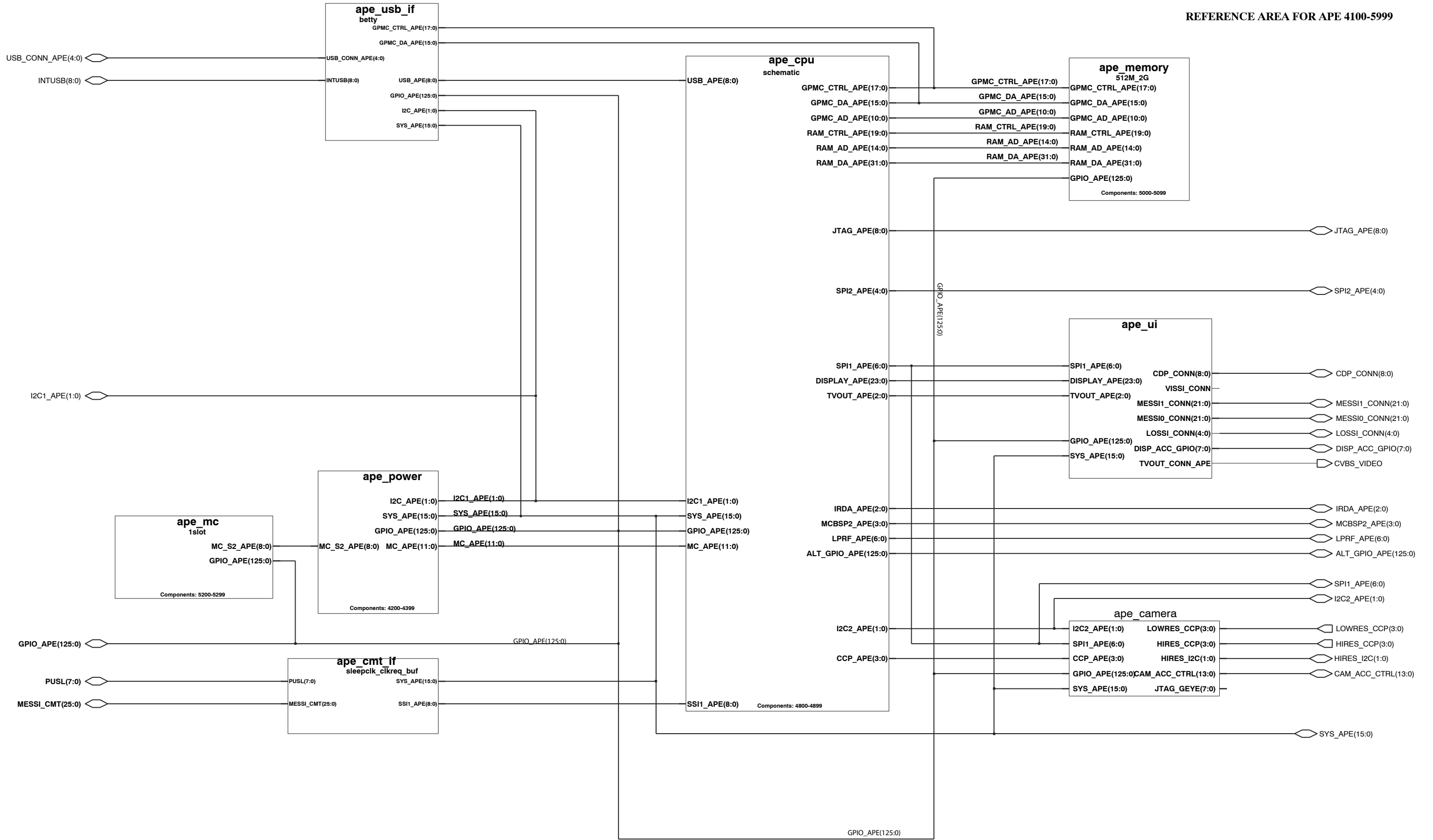




2FA_03



REFERENCE AREA FOR APE 4100-5999

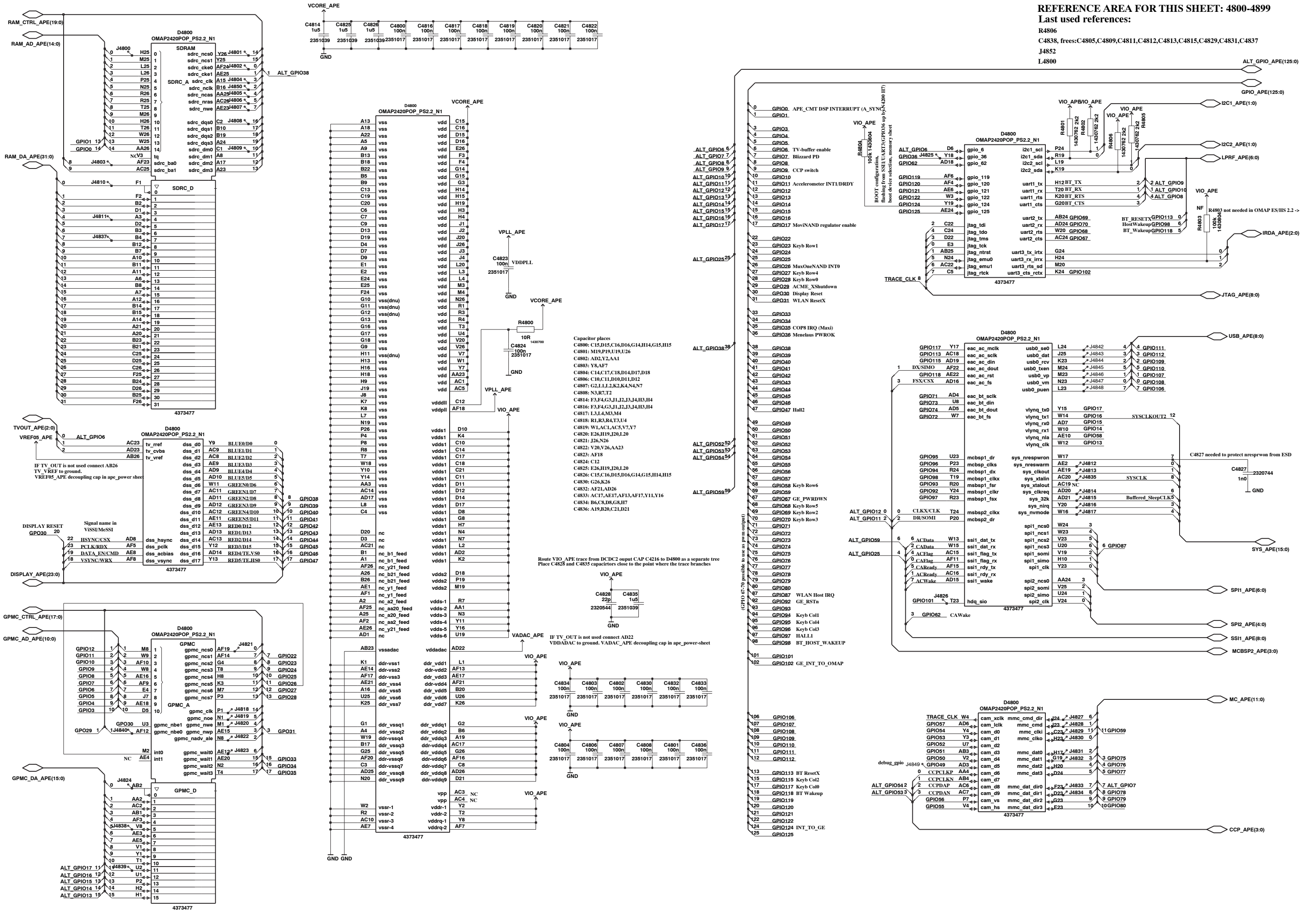


MC_IF_S1_APE(8:0) 
 MC_IF_S2_APE(8:0) 

REFERENCE AREA FOR THIS SHEET: 4800-4899

Last used references:

- R4806
- C4838, fuses: C4805, C4809, C4811, C4812, C4813, C4815, C4829, C4831, C4837
- J4852
- L4800



Last used references:

D5000

R5004, frees: R5000

GPMC_AD_APE(10:0)

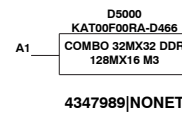
RAM_AD_APE(14:0)

RAM_CTRL_APE(19:0)

GPMC_CTRL_APE(17:0)

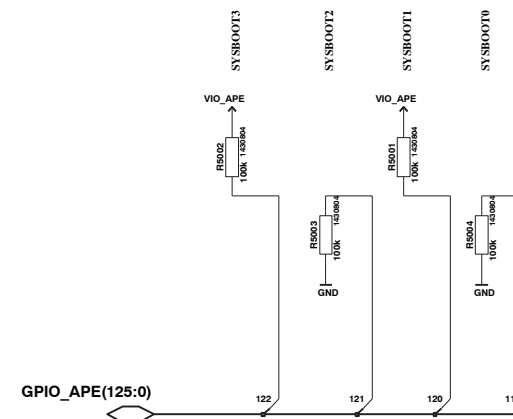
GPMC_DA_APE(15:0)

RAM_DA_APE(31:0)



POP3 Memory Stacked on top of D4800 OMAP2420POP
NONET Geometry for partlists

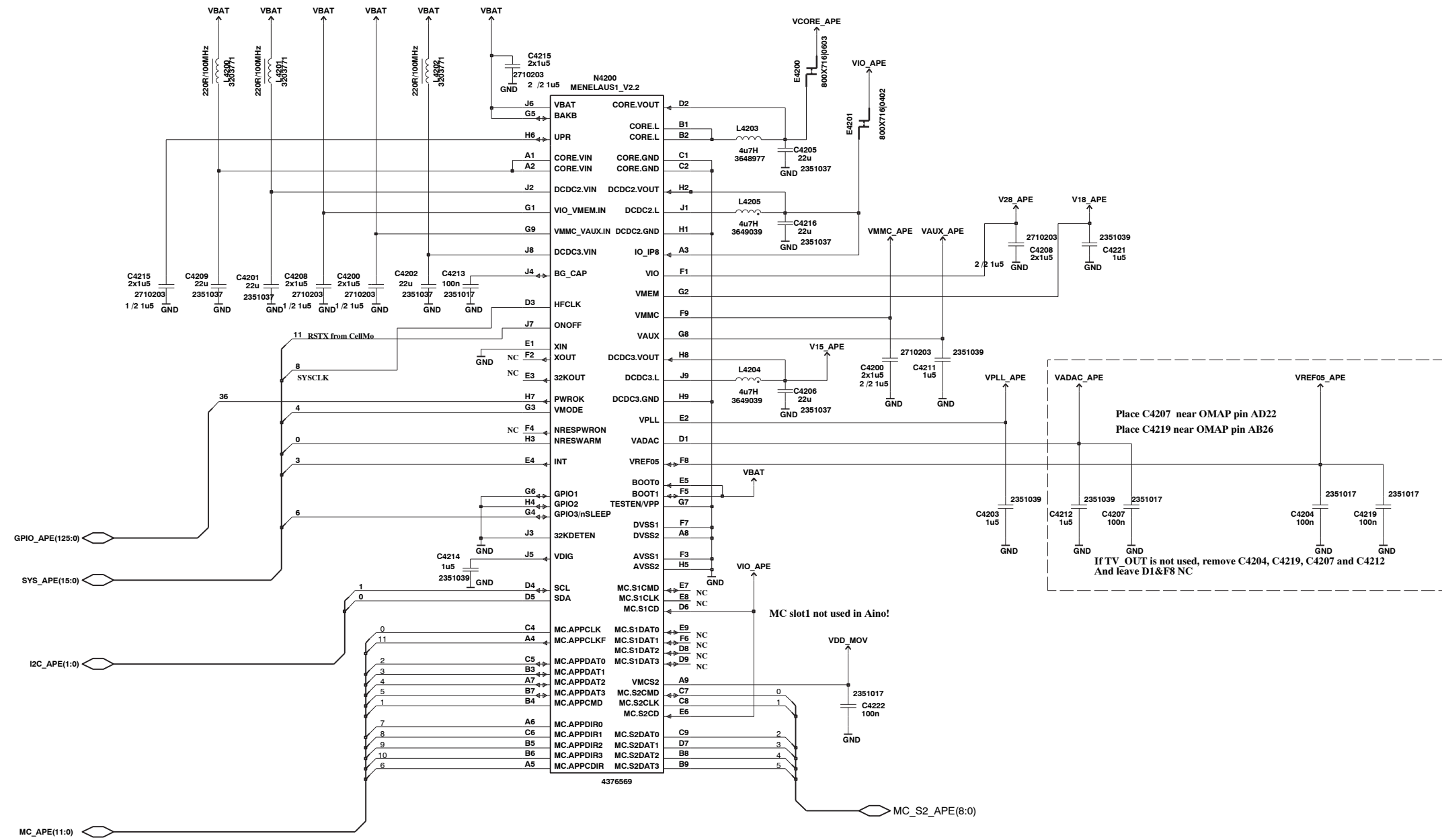
1G/2G memory code



BOOT configuration,
1010=boot from 16-bit MuxedOneNAND

Last used references:

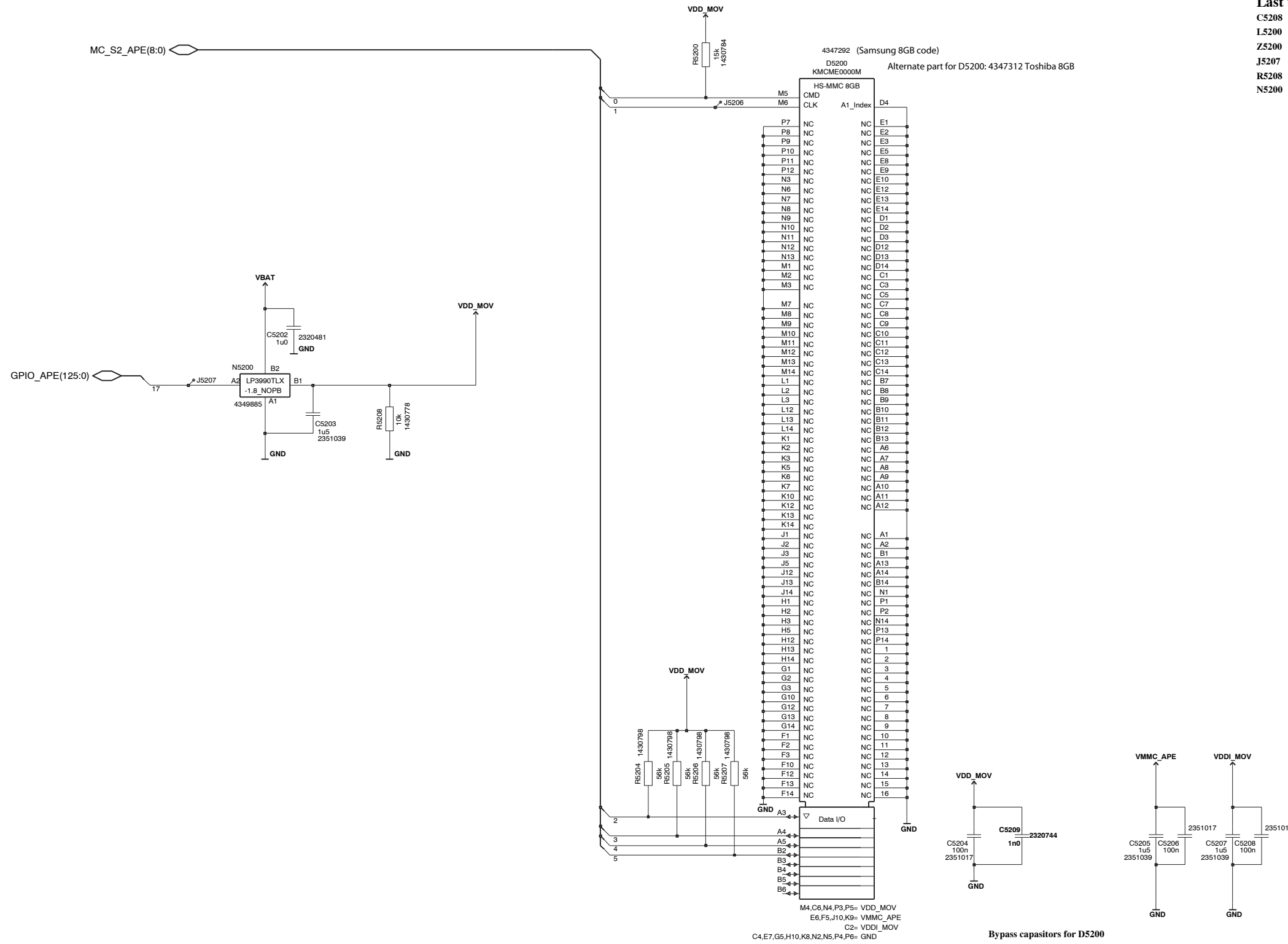
C4222, frees: C4210, C4218, C4220
L4205









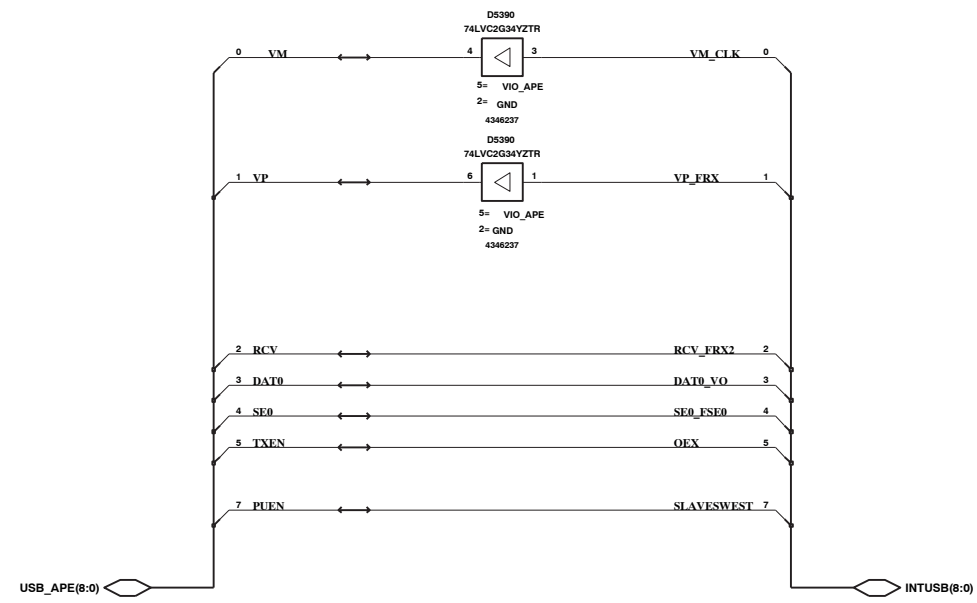
REFERENCE AREA FOR THIS SHEET: 5200-5249

Last used references:

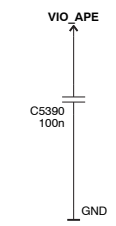
- C5208
- L5200
- Z5200
- J5207
- R5208
- N5200

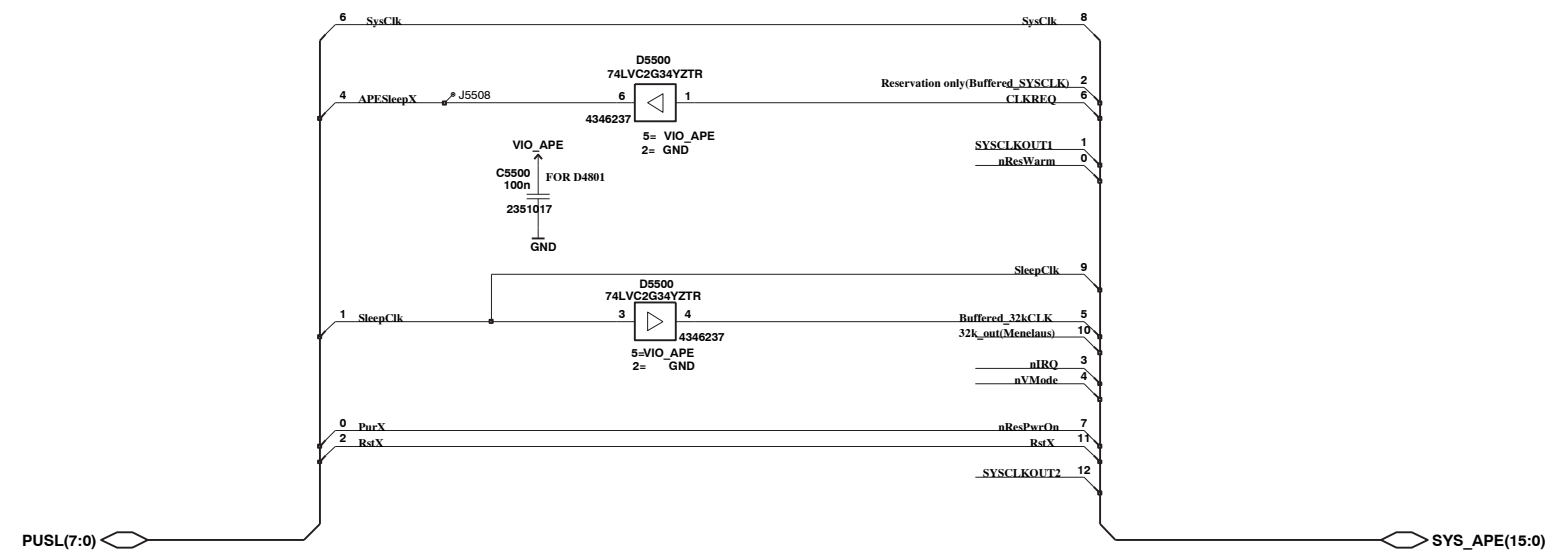
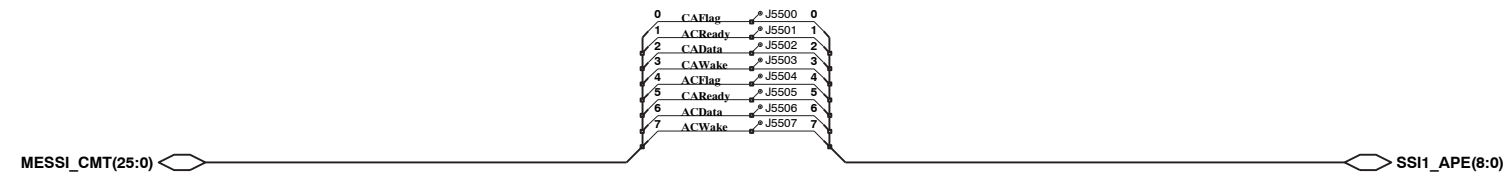


- SYS_APE(15:0) 
- GPMC_CTRL_APE(17:0) 
- GPIO_APE(125:0) 
- GPMC_DA_APE(15:0) 
- I2C_APE(1:0) 
- USB_CONN_APE(4:0) 

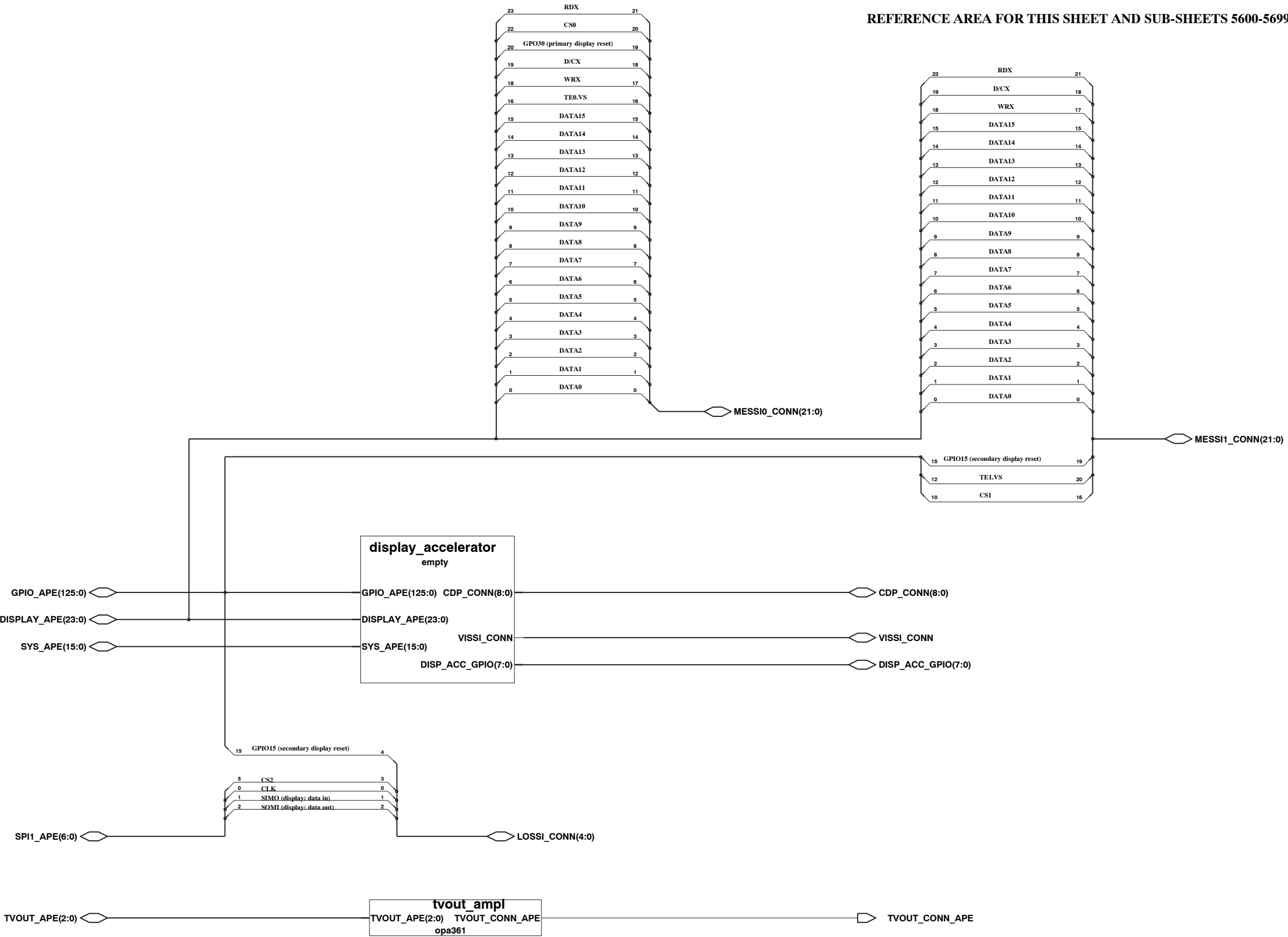


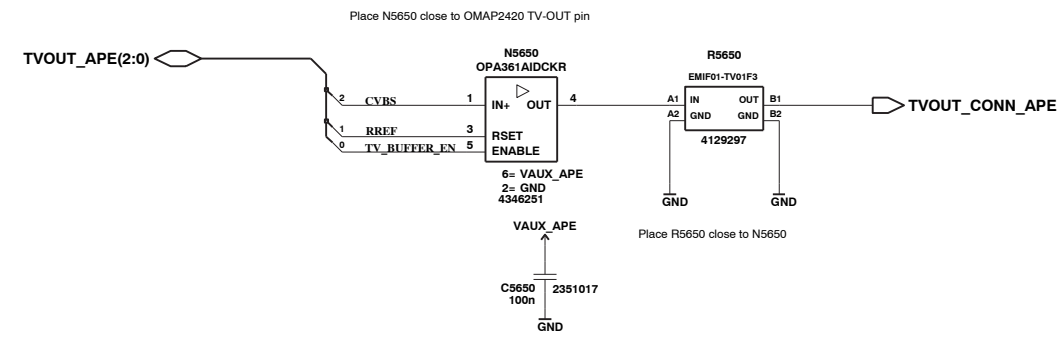
Bypass capacitor for D5390

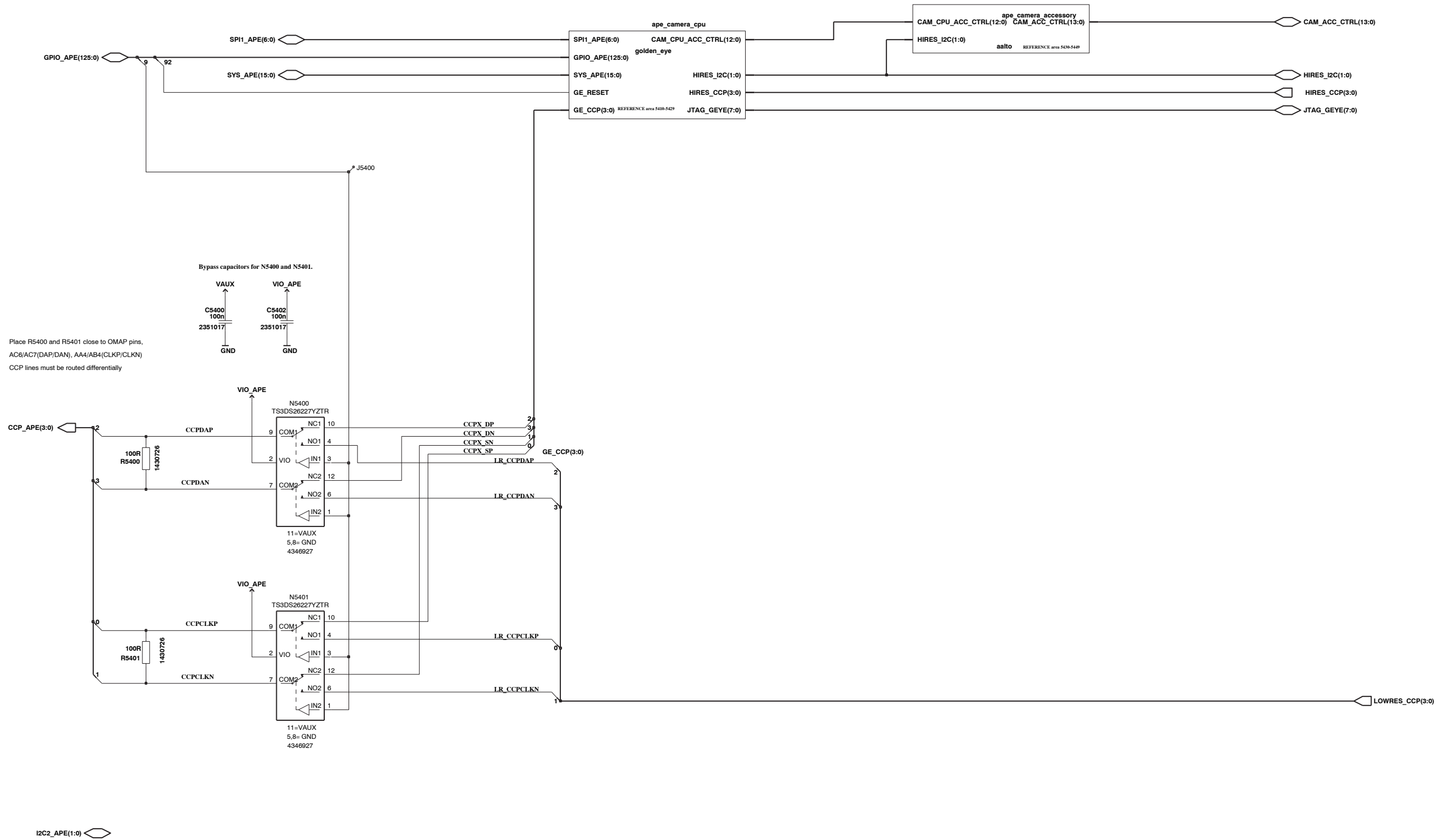




REFERENCE AREA FOR THIS SHEET AND SUB-SHEETS 5600-5699







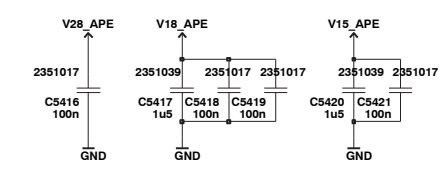
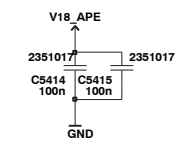
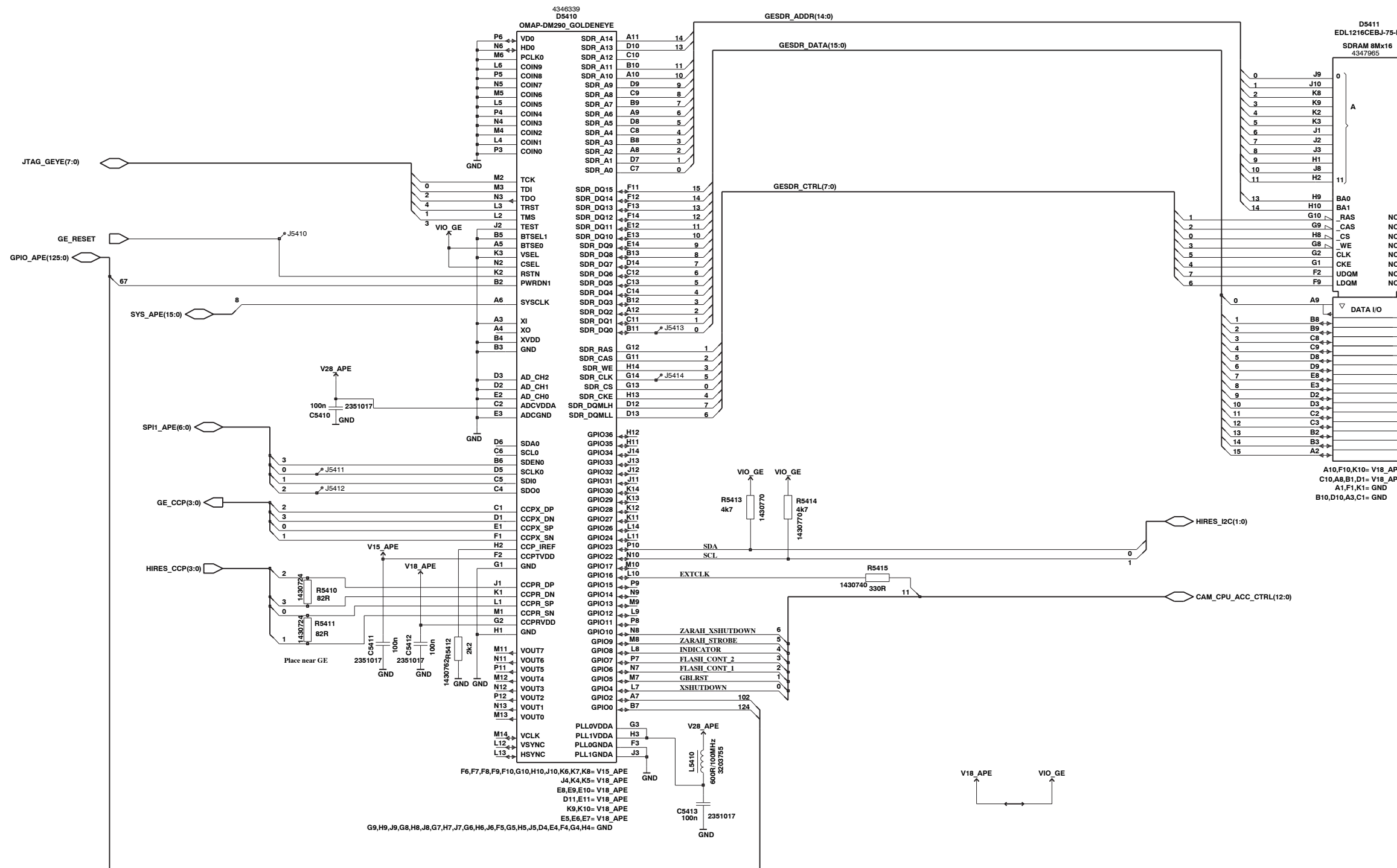
REFERENCE AREA FOR THIS SHEET 5410-5449

Last used references:

- R5415
- C5420
- L5410

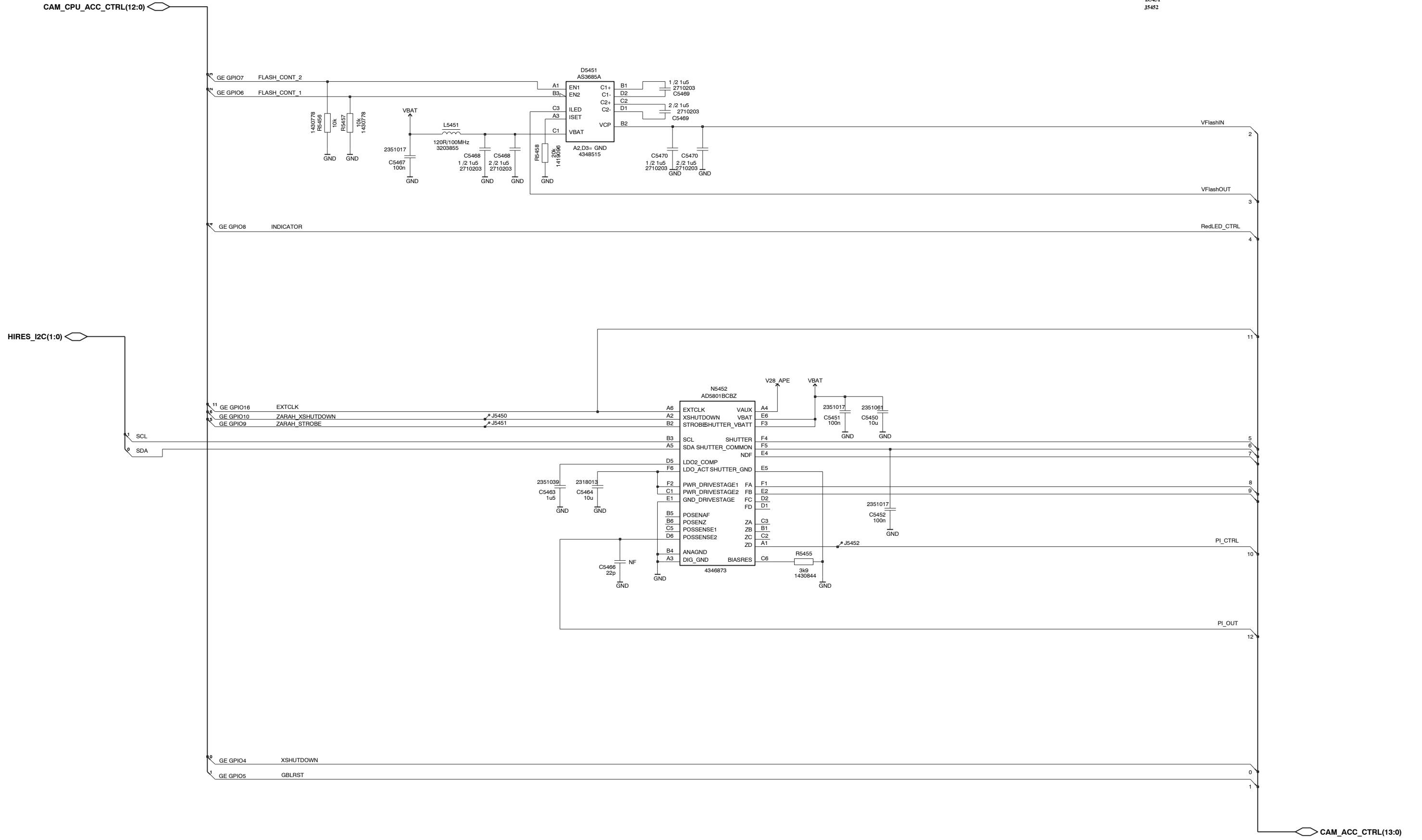
Elpida memory code
Samsung 4347657 is alternate code

Place decoupling capacitors close to SDRAM power pins



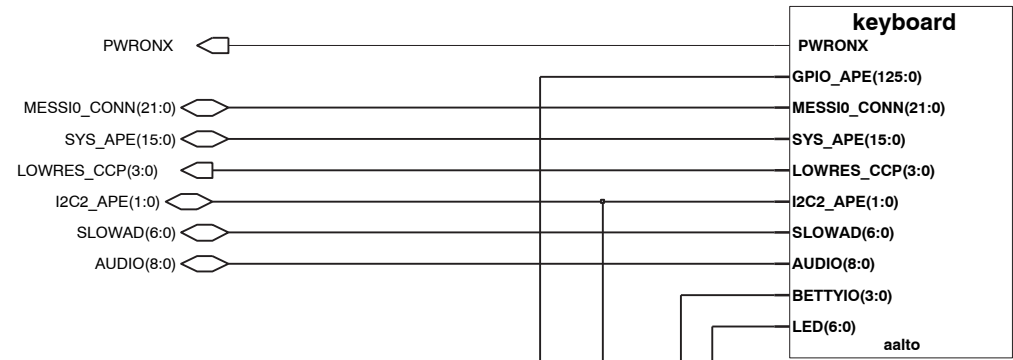
Place these capacitors close to GE power pins

Last used references:
 C5470
 R5458
 L5451
 D5451
 J5452



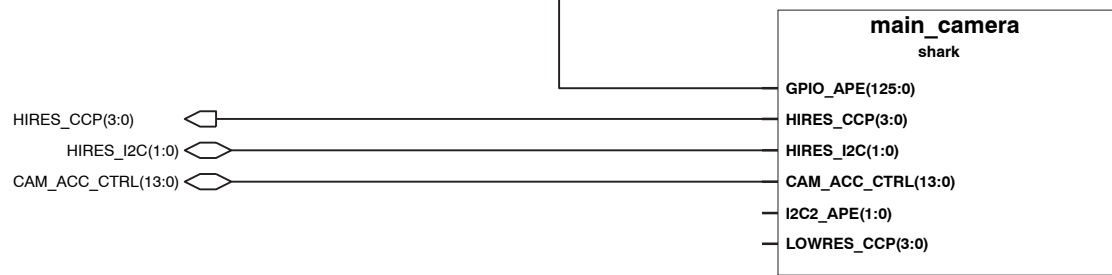
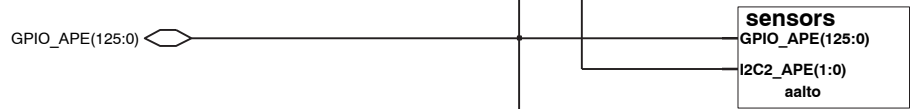
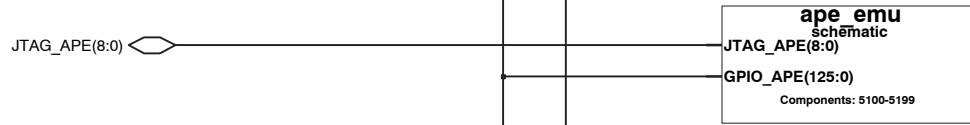
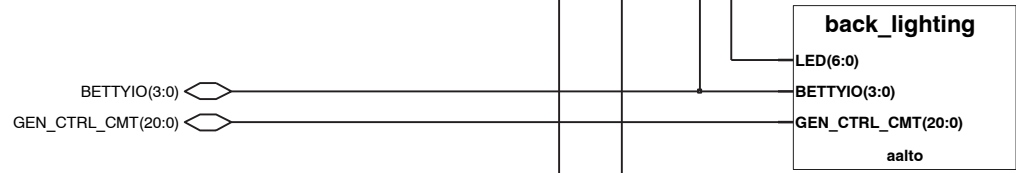


- XAUDIO(7:0)
- USB_ACI(7:0)
- CHARGER
- AUDIOCTRL(5:0)
- H_BRIDGE(3:0)



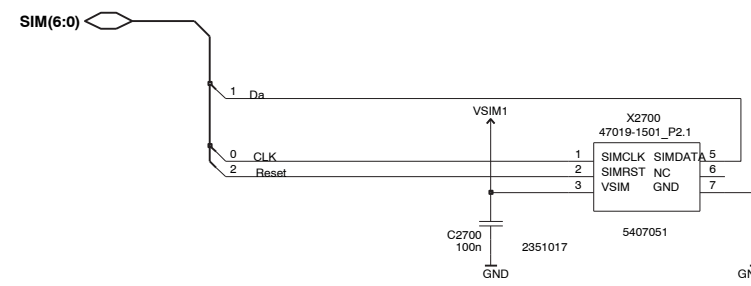
- I2C(1:0)

FM_ANT



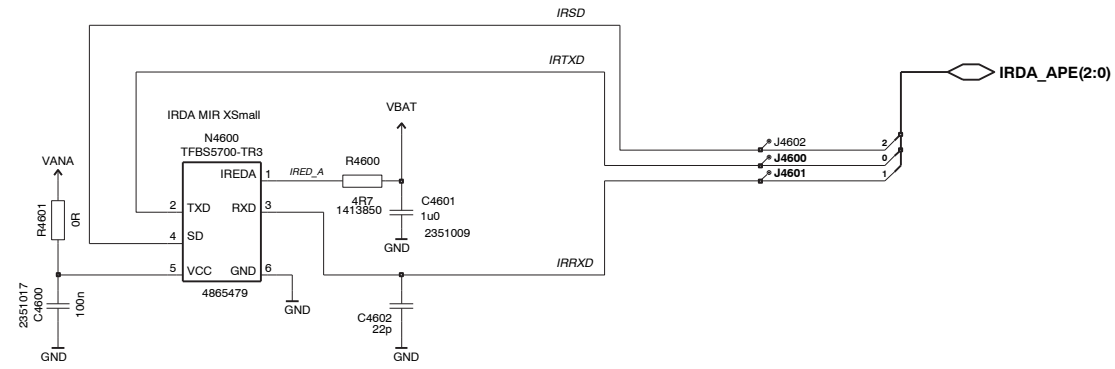
- LOSSI_CONN(4:0)
- MESSI1_CONN(21:0)
- I2C1_APE(1:0)
- CDP_CONN(8:0)
- SPI1_APE(6:0)
- USB_CONN_APE(4:0)
- ALT_GPIO_APE(125:0)
- DISP_ACC_GPIO(7:0)

Last used references
X5250



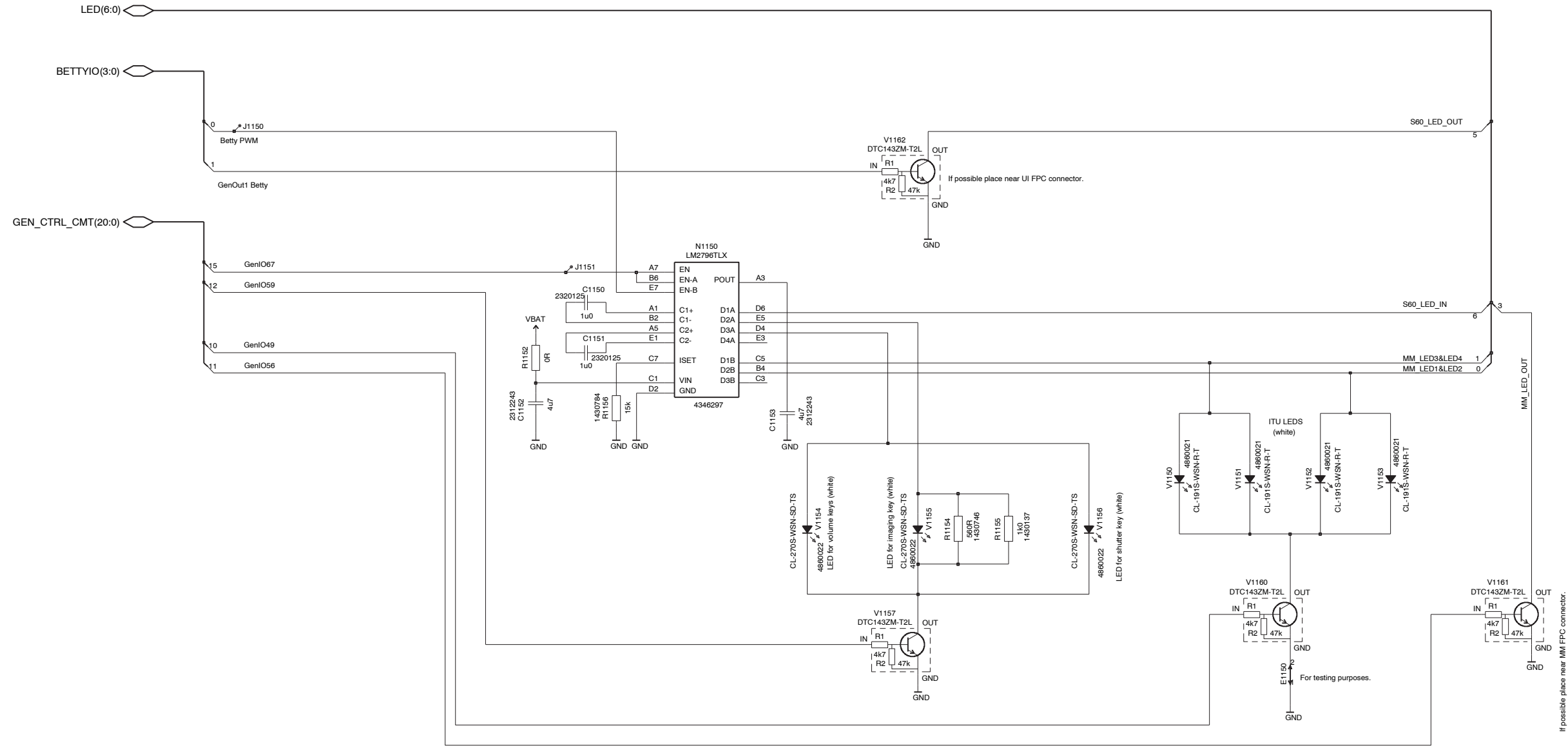
MC_IF_S1_APE(8:0) ◁

MC_IF_S2_APE(8:0) ◁



REFERENCE AREA FOR THIS SHEET 1150-1199

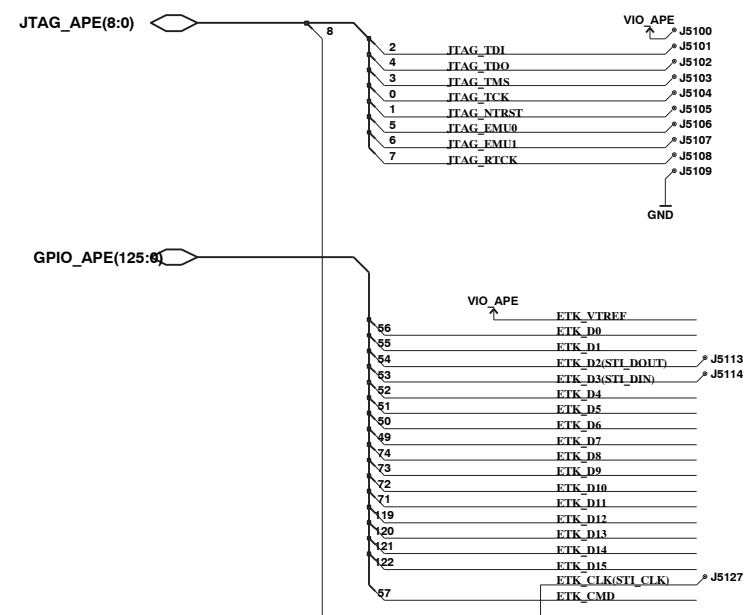
Last used references
R1156

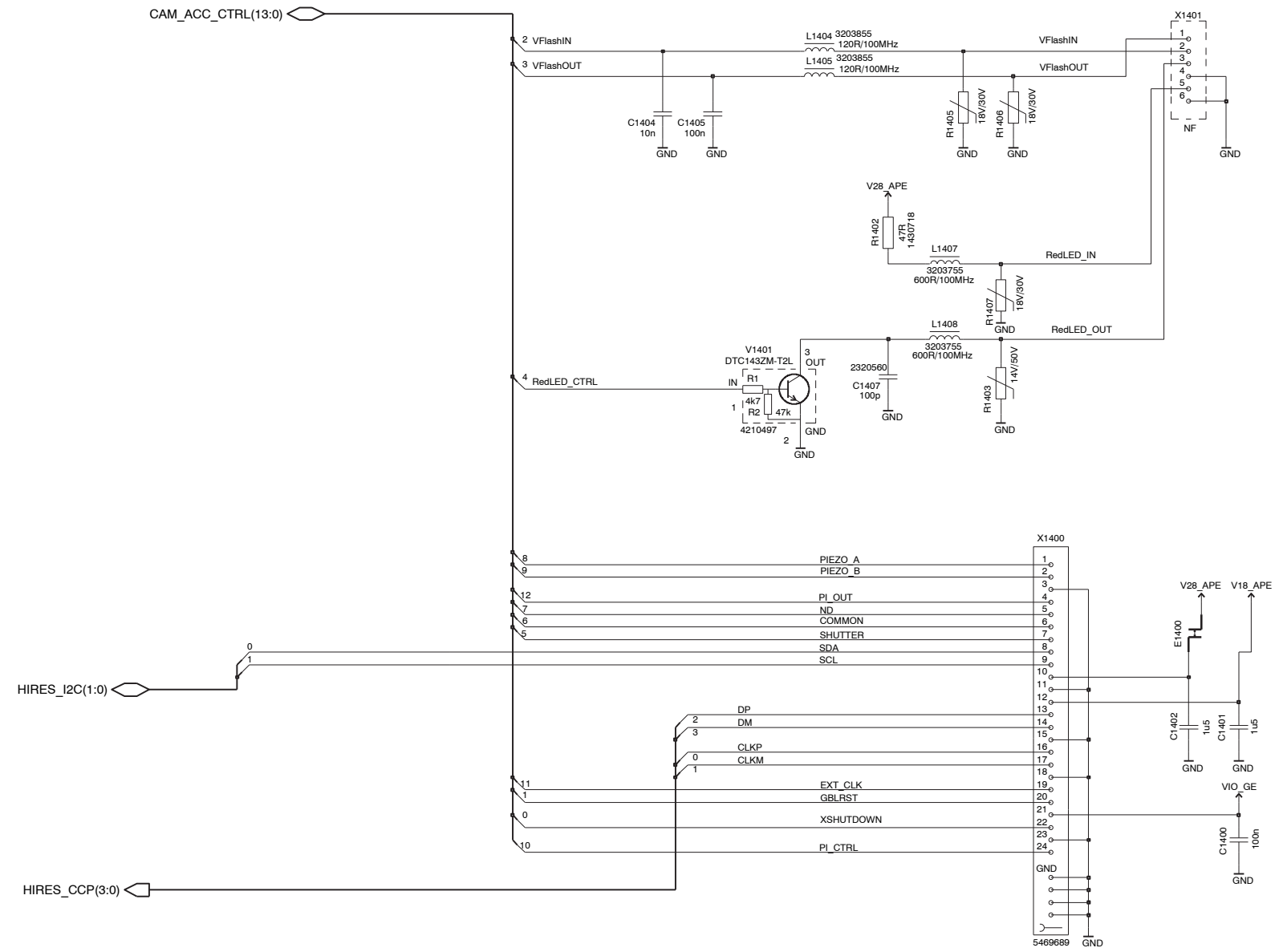


REFERENCE AREA FOR THIS SHEET: 5100-5199




Last used references:


J5129

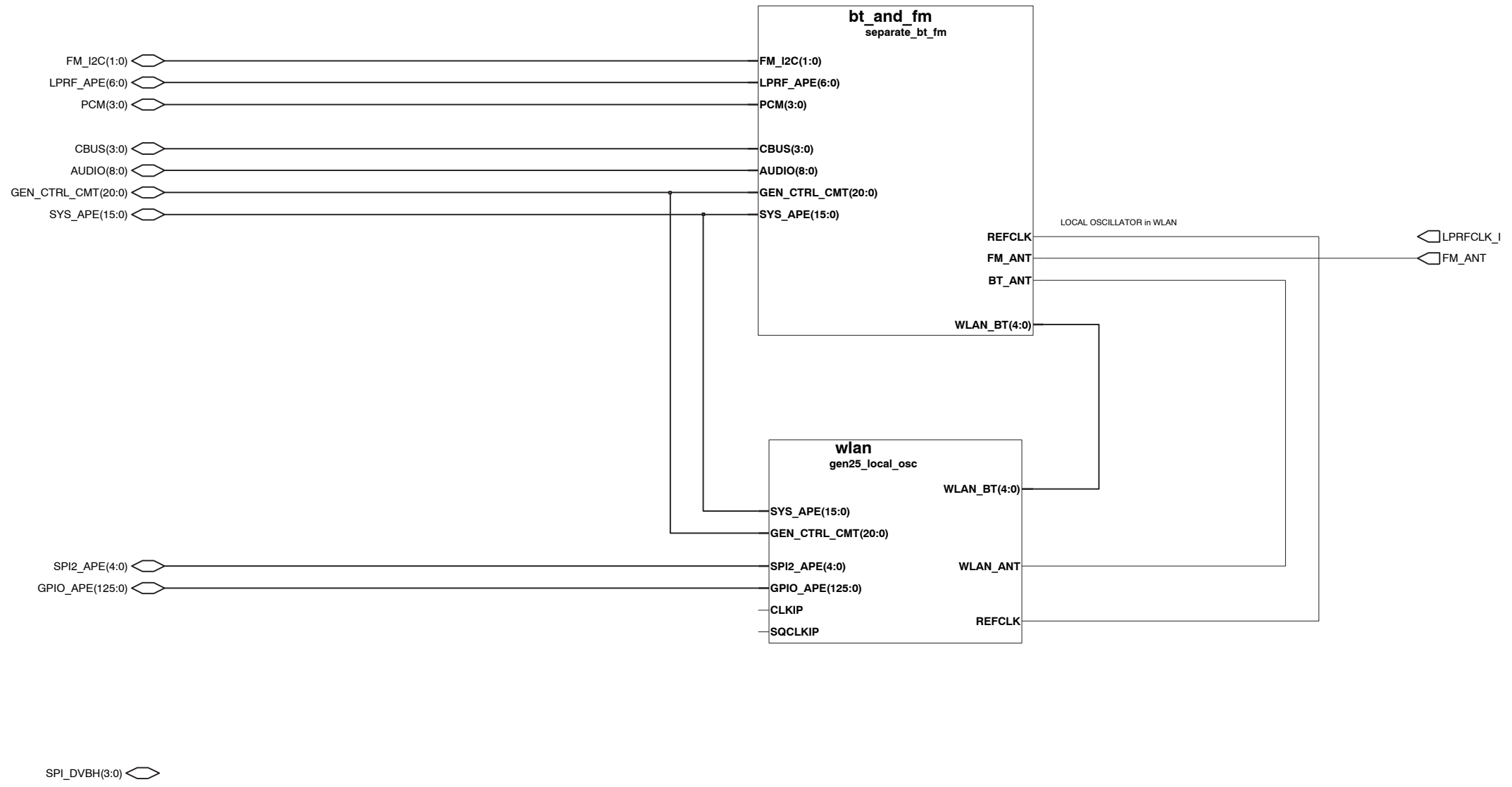


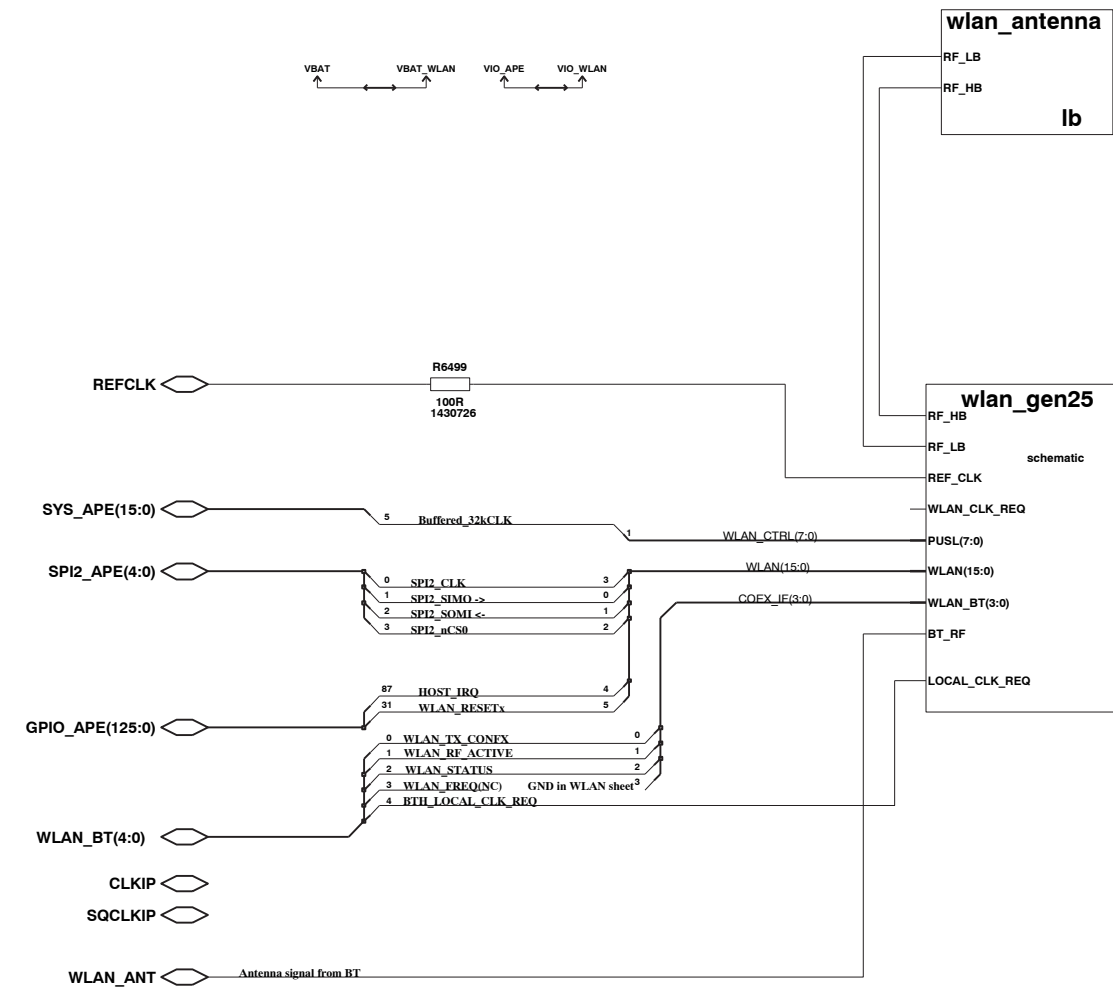


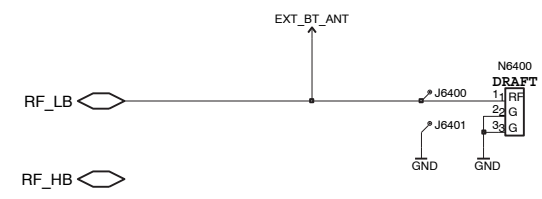
Place capacitors near connector.

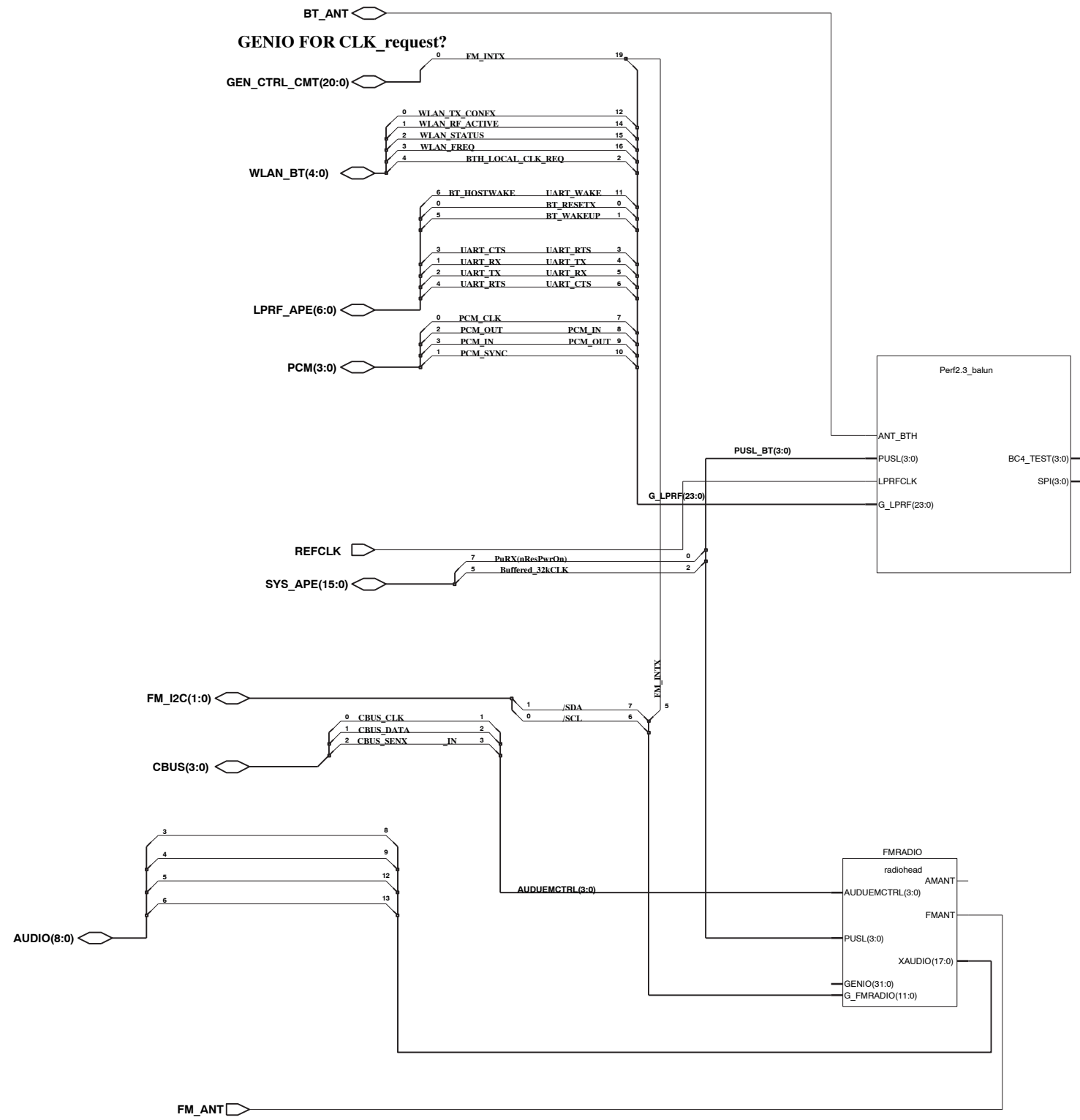
- GPIO_APE(125:0) 
- I2C2_APE(1:0) 
- LOWRES_CCP(3:0) 

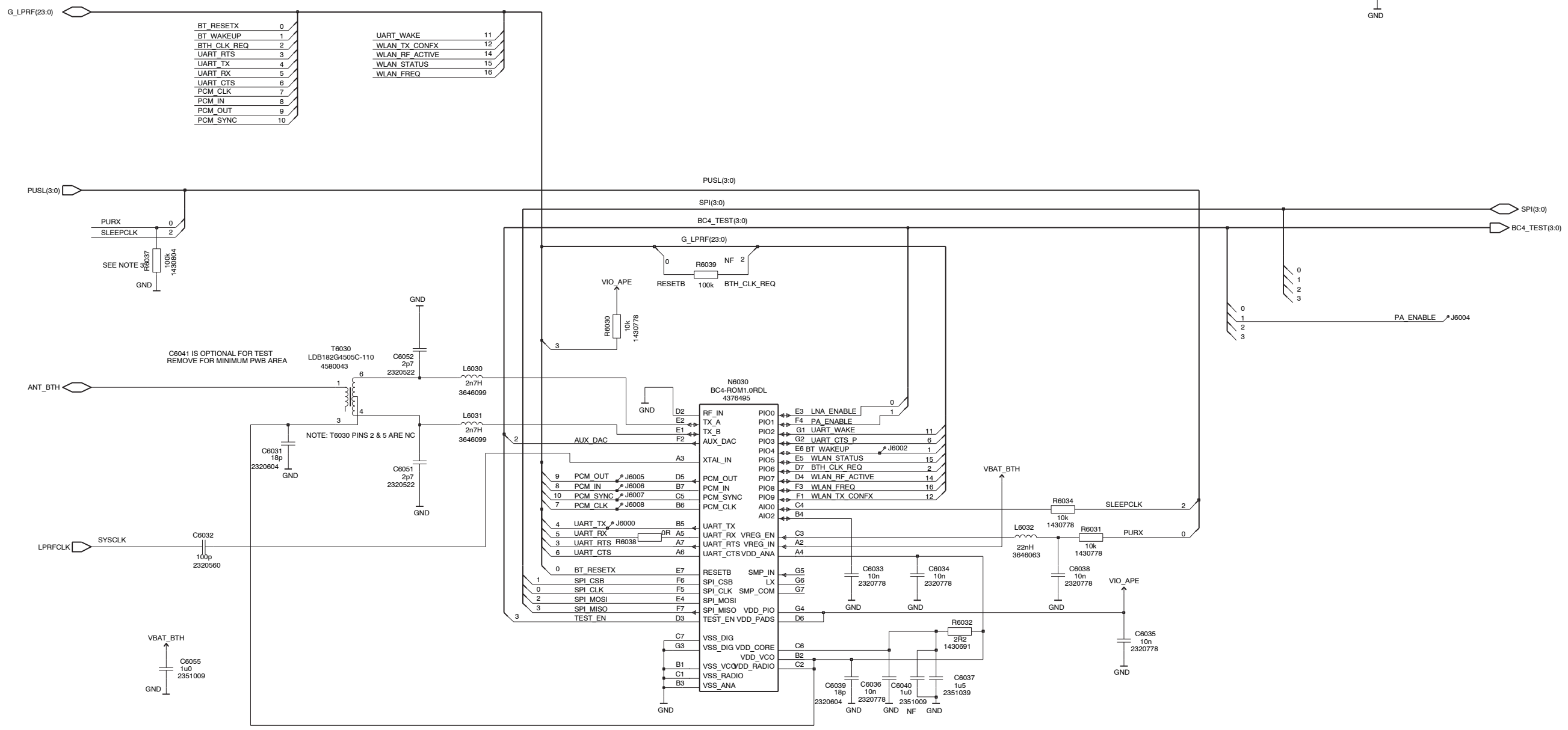
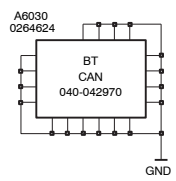
PUSL(7:0) 











BT RESETX	0
BT WAKEUP	1
BTH_CLK_REQ	2
UART RTS	3
UART TX	4
UART RX	5
UART CTS	6
PCM_CLK	7
PCM_IN	8
PCM_OUT	9
PCM_SYNC	10

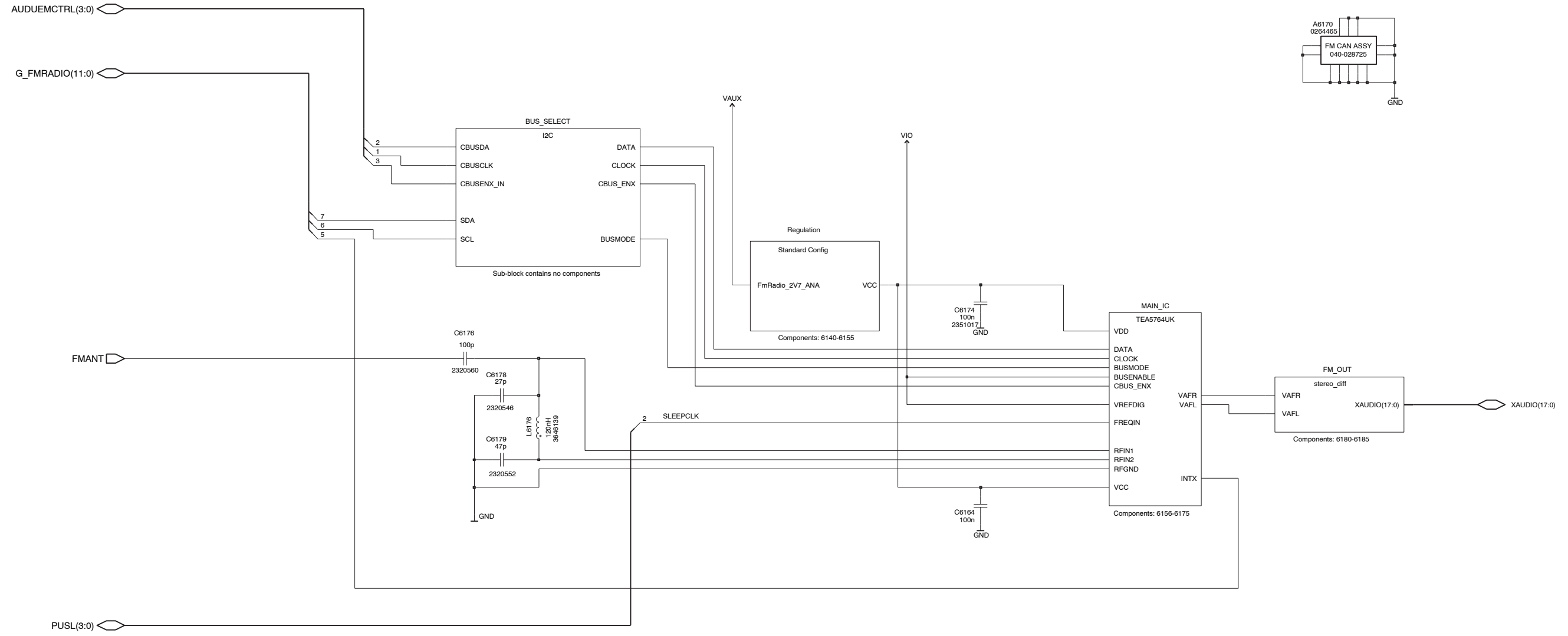
UART_WAKE	11
WLAN_TX_CONFX	12
WLAN_RF_ACTIVE	14
WLAN_STATUS	15
WLAN_FREQ	16

C6041 IS OPTIONAL FOR TEST REMOVE FOR MINIMUM PWB AREA

NOTE: T6030 PINS 2 & 5 ARE NC

Notes

- (1) For EDR testing, provide test pads for UART, PIO1 and RESETX. TEST_EN can be left NC in phone.
- (2) VREG_EN (C3) is noise sensitive. L6032, R6031, C6038 are required for filtering
- (3) R6037 may be located where convenient and does not have to be in the Bluetooth area.



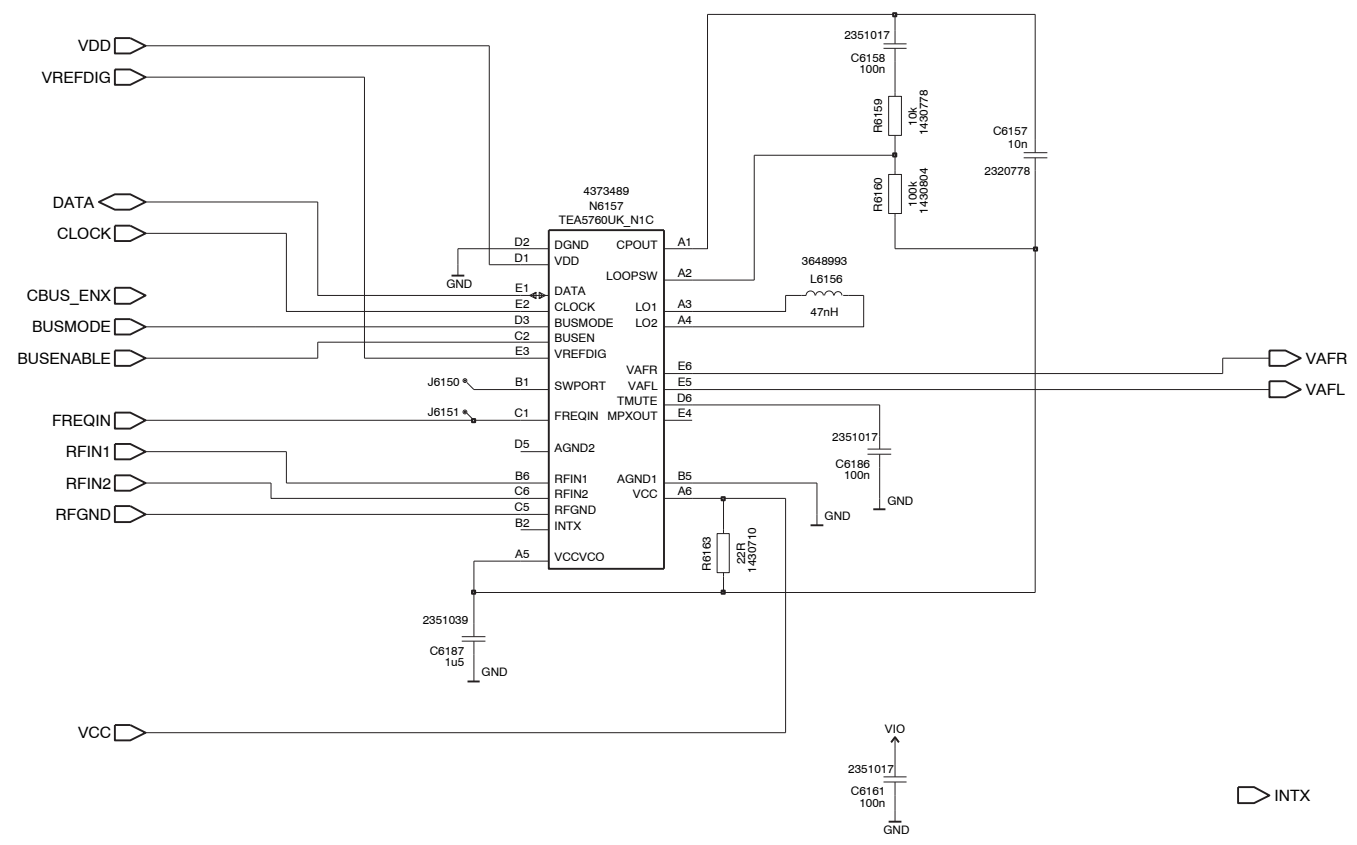
Note: For Layout information, see FM Radio Application Note

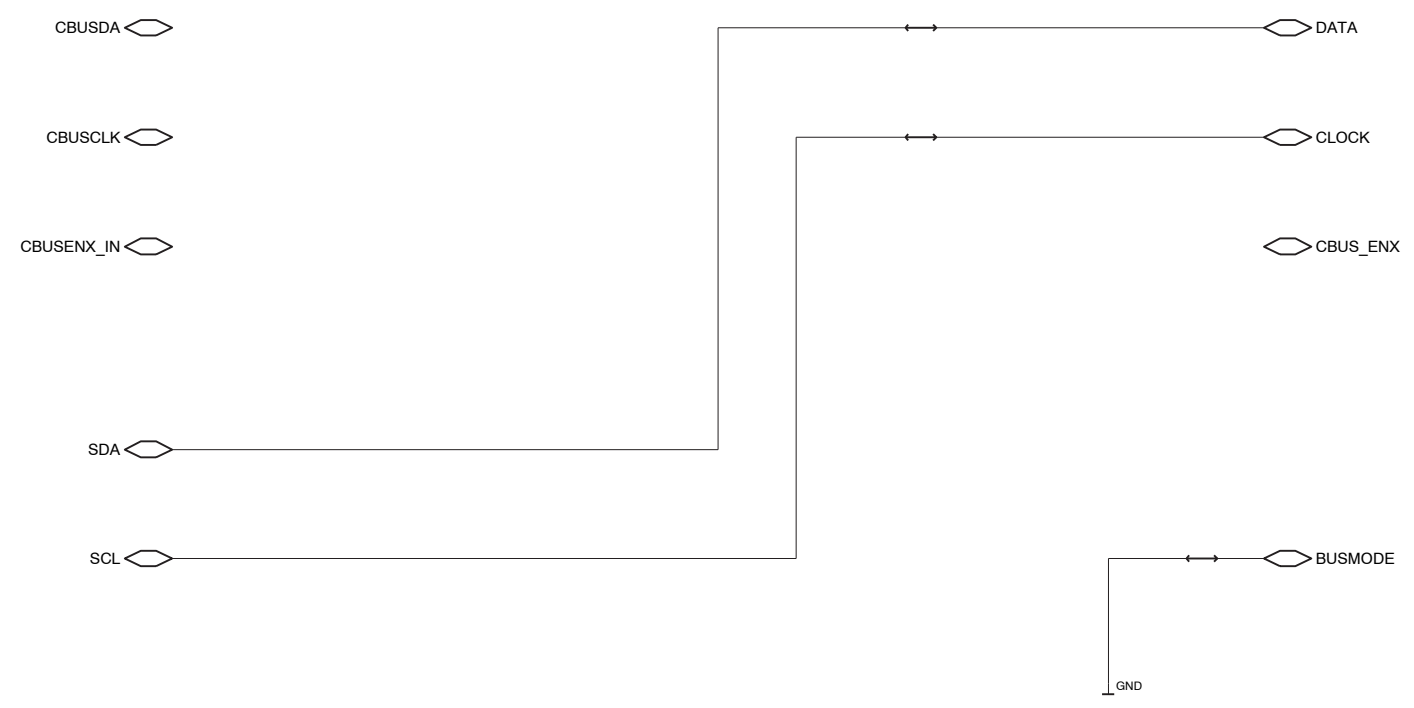
Interface Designation	BB Release	G_MAP sheet Recommended connection(s)	Signal	Function
G_FMRADIO(5)	BB4.0	GENIO(24)	INTX	Falling Edge Interrupt
	BB4.5	GENIO(8) or GENIO(9) or GENIO(10) or GENIO(11)		
FmRadio_2V7_ANA		VANA	VCC/VDD	Main 2.7Vdc Supply
FmRadio_1V8_Dig		VIO	VREFDIG	1.8Vdc IO Supply

Radiohead Component Allocation: 6100-6199

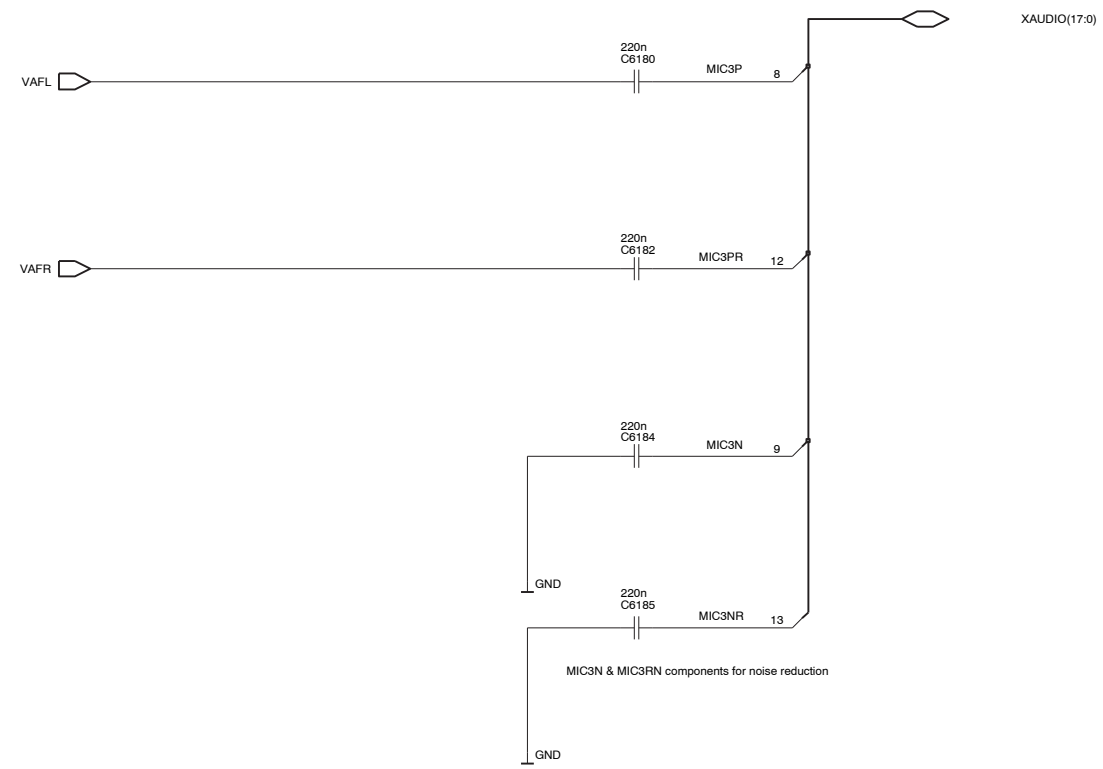
AMANT

GENIO(31:0)

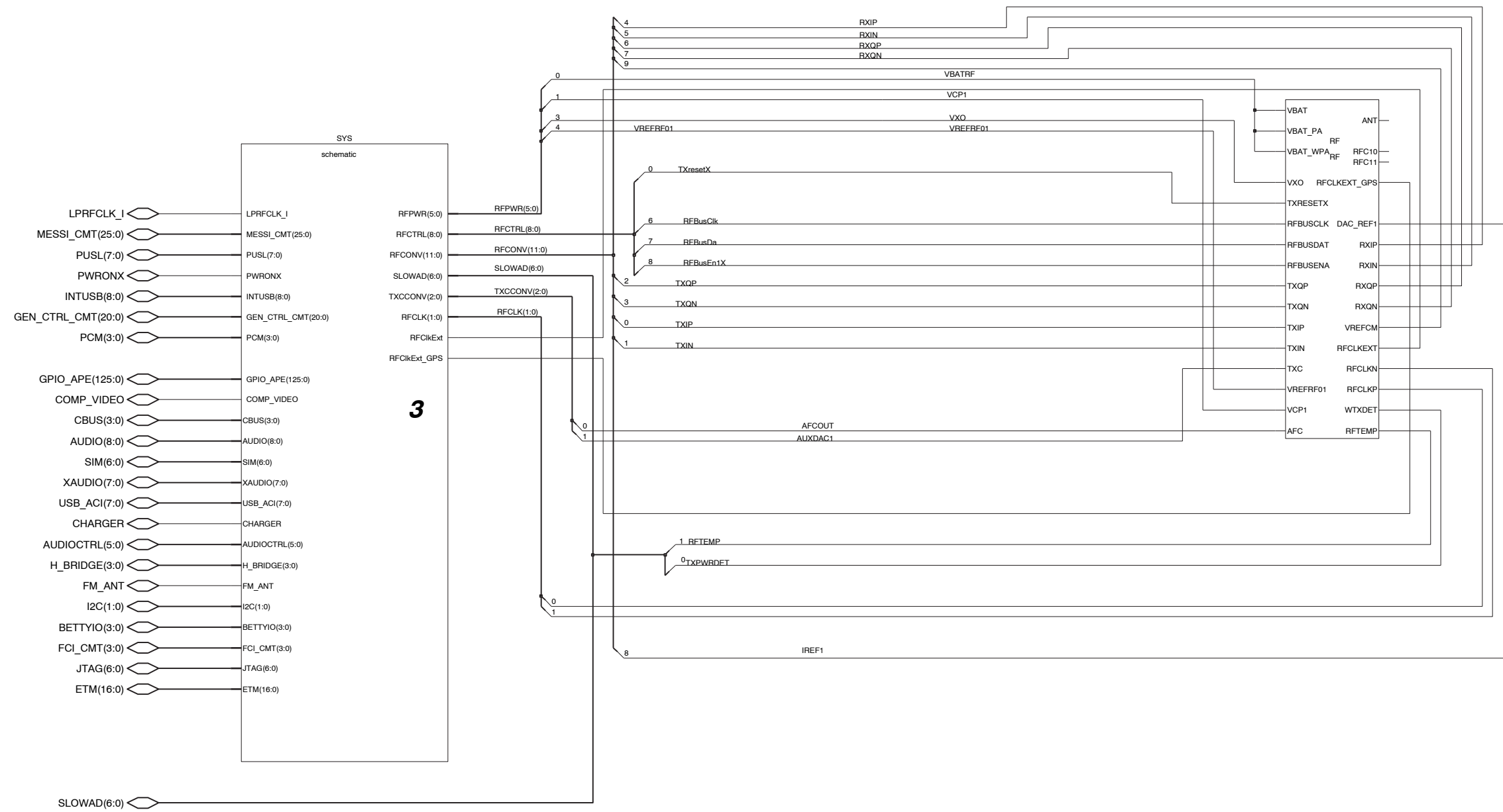


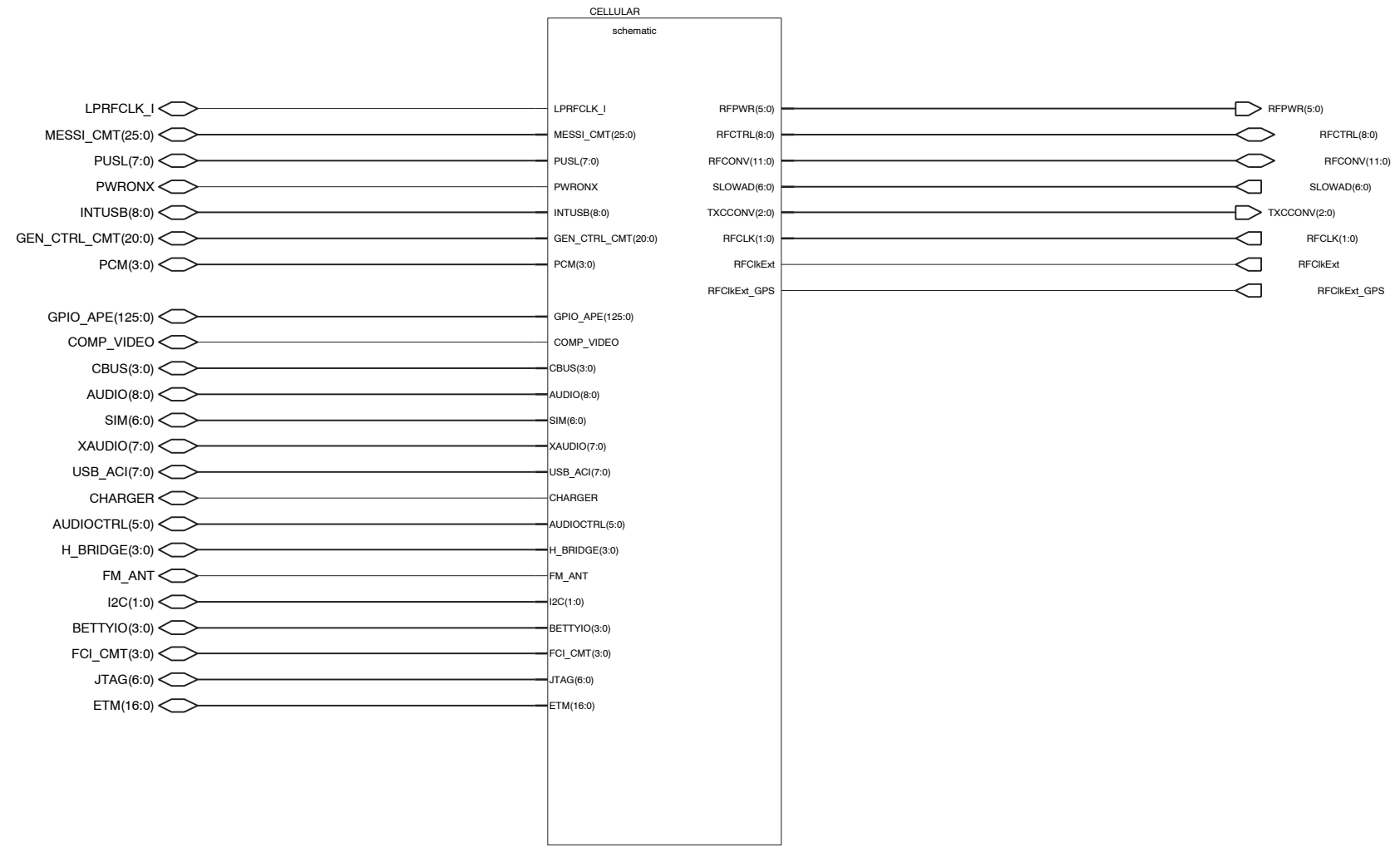


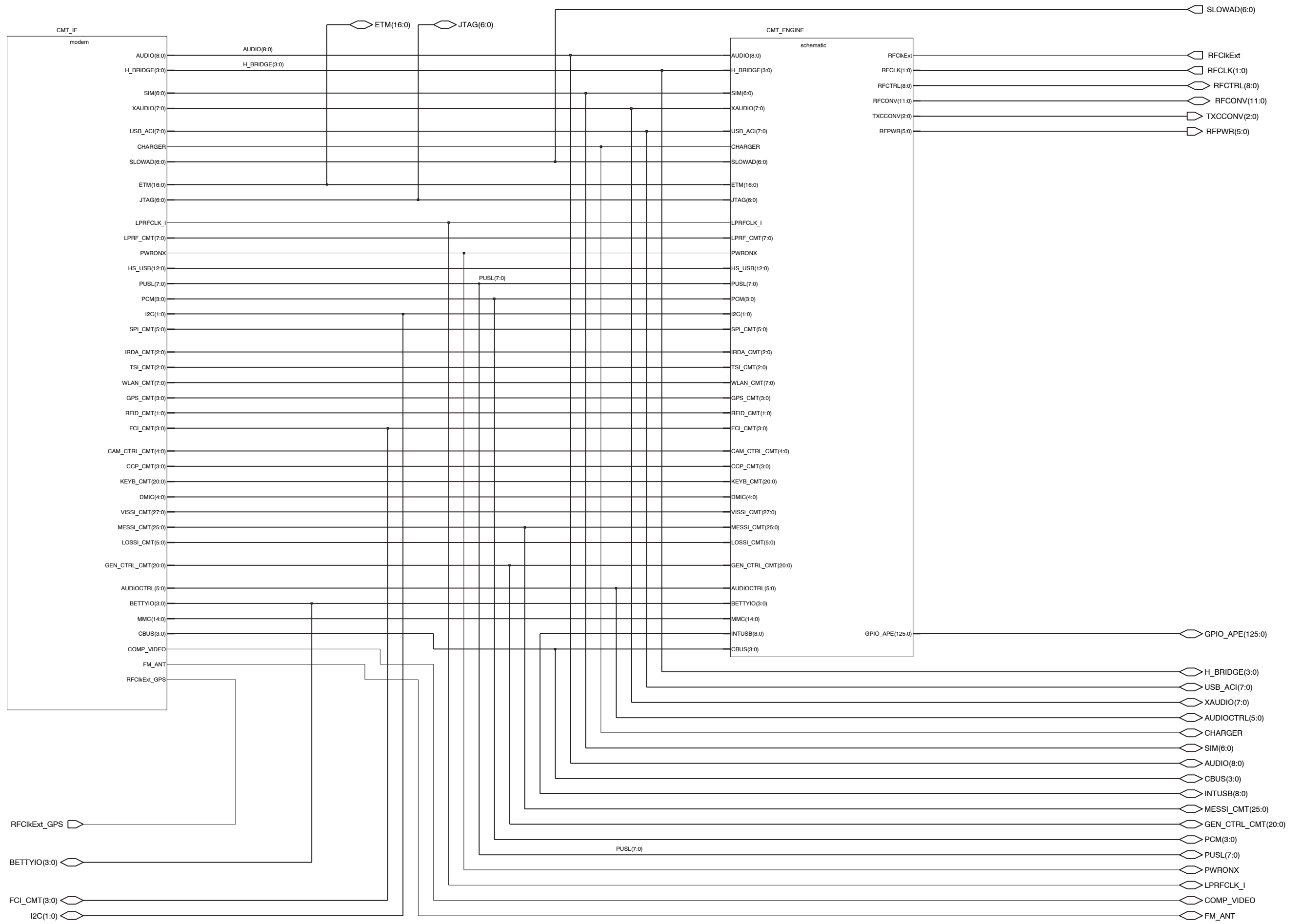


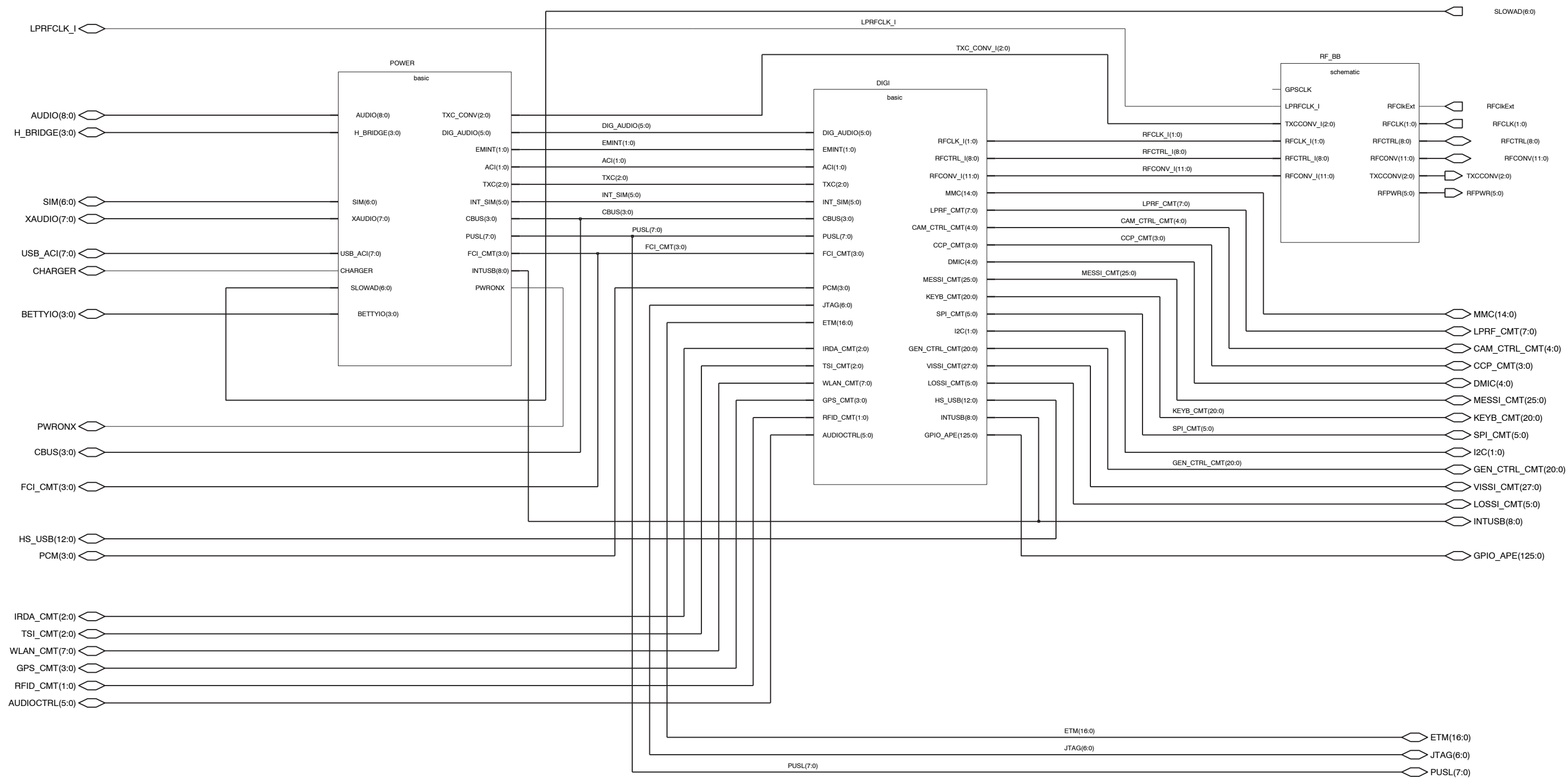


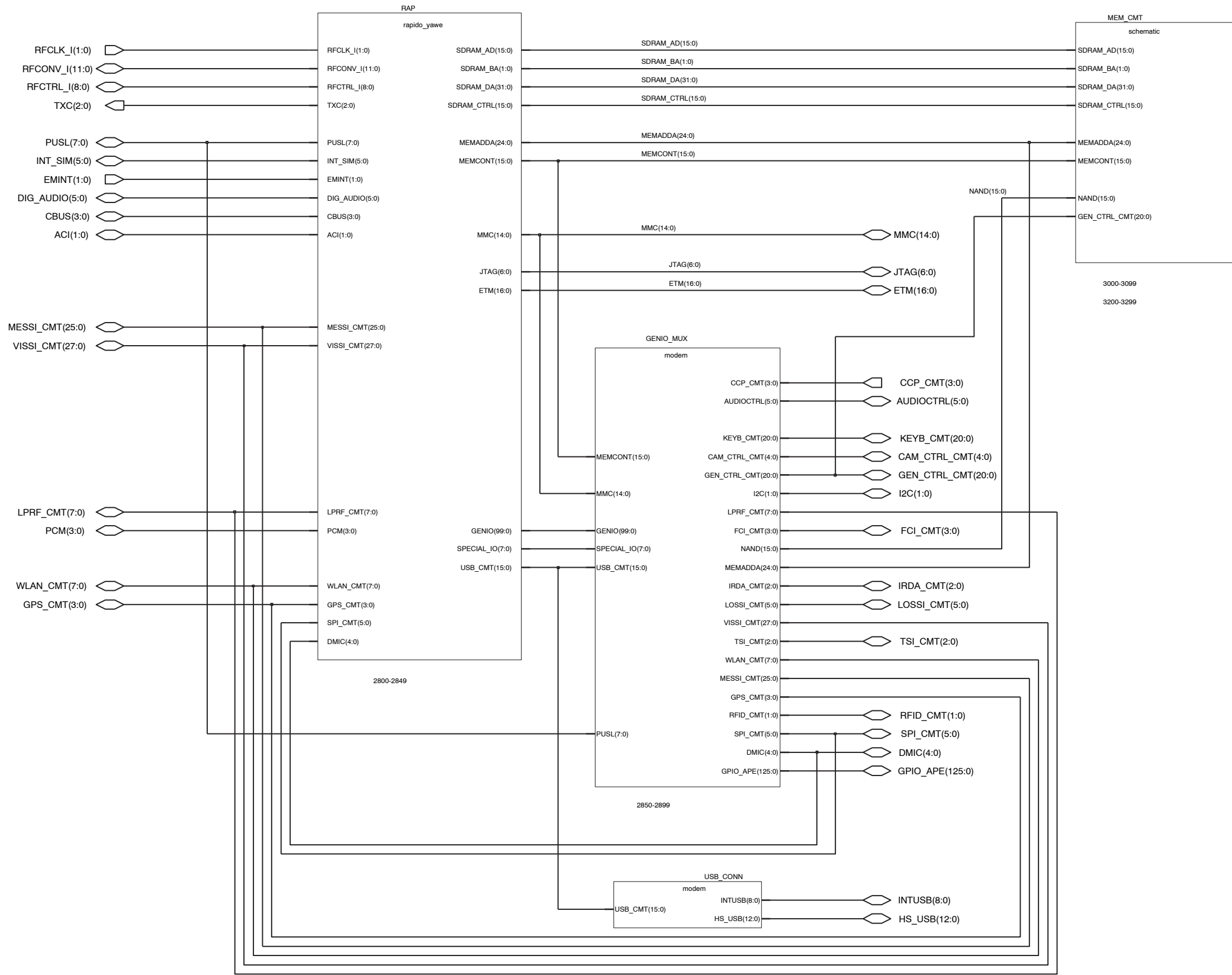
For use with UEME and audio circuits with true differential inputs

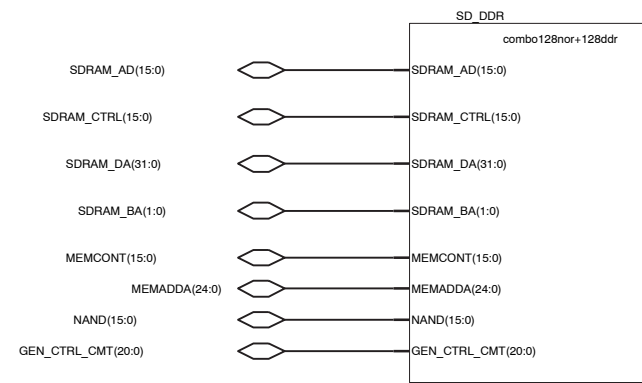




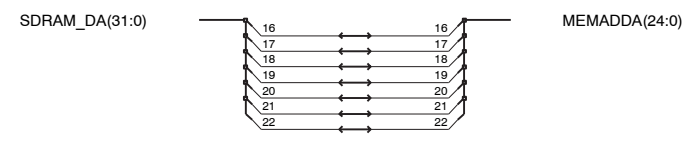
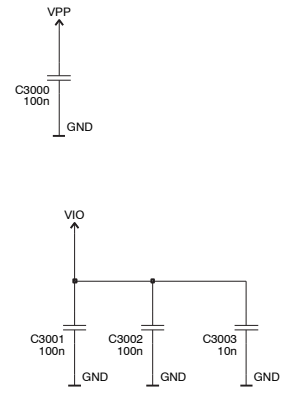




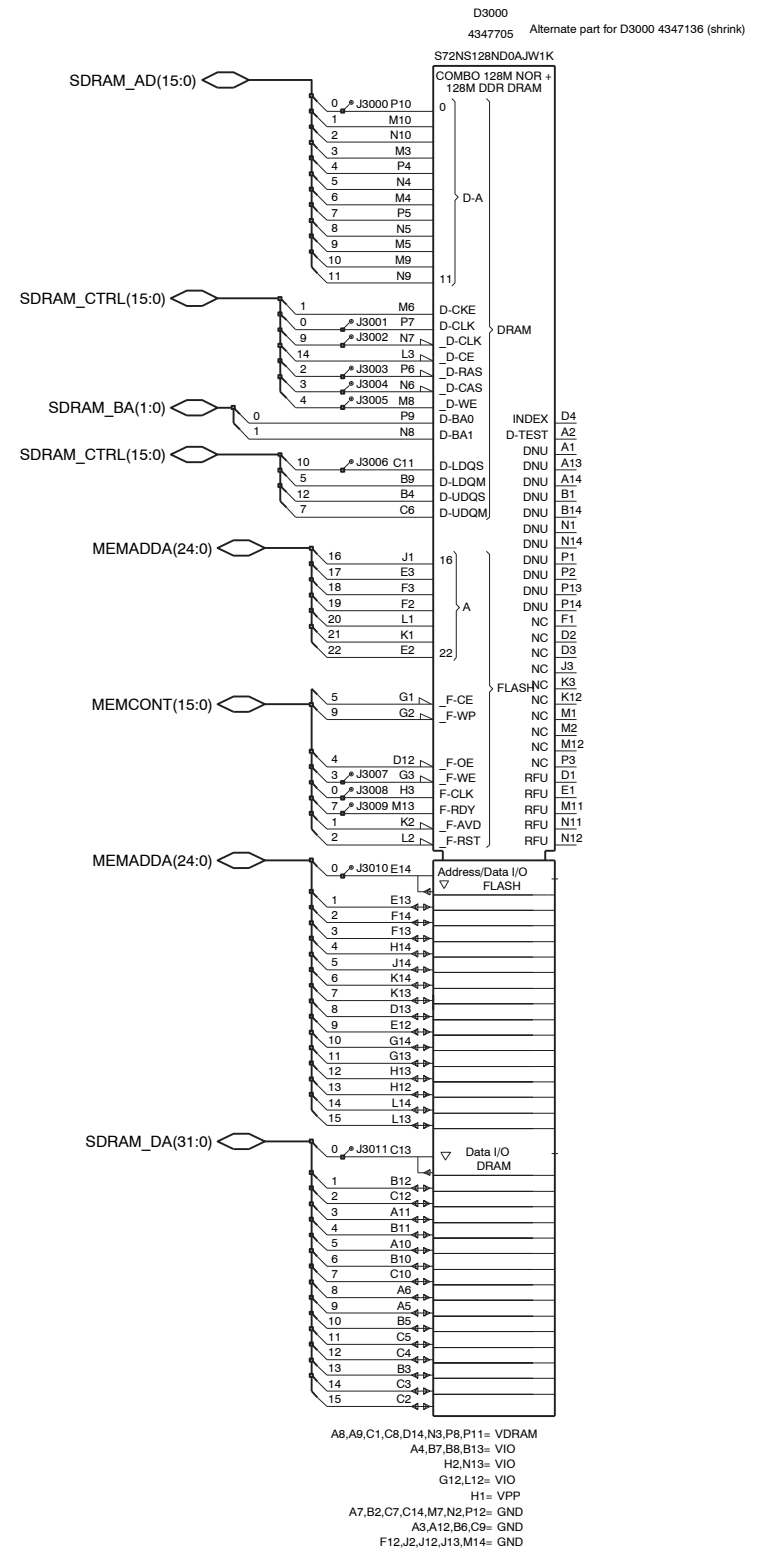
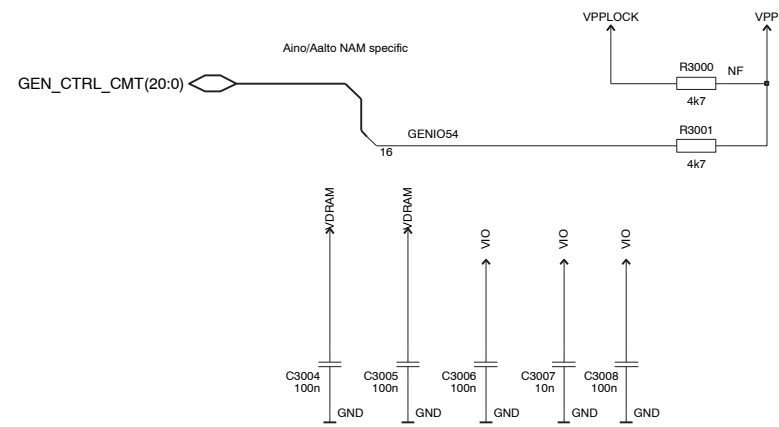


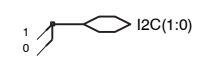
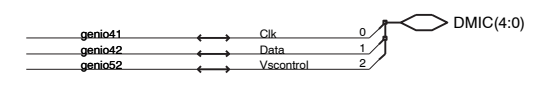
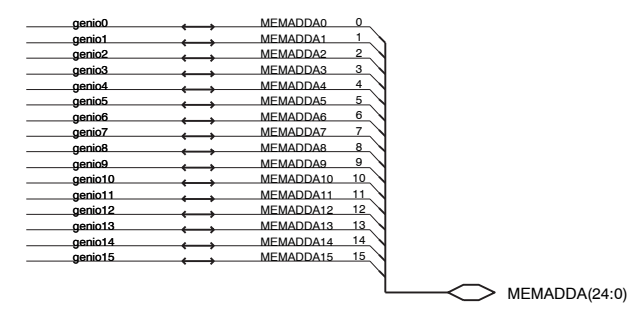
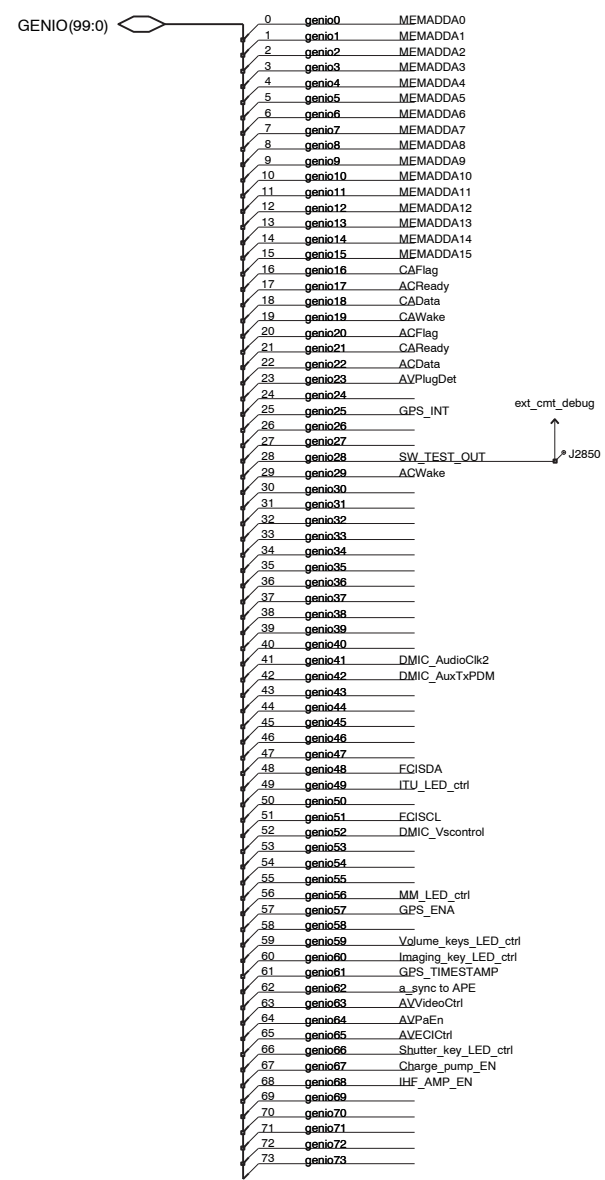


NAND(15:0)

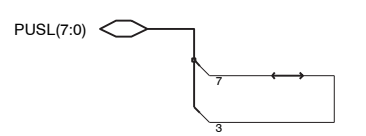
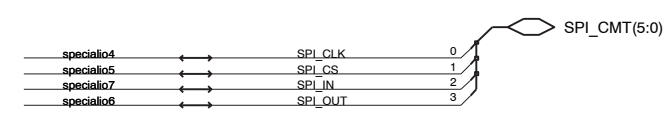
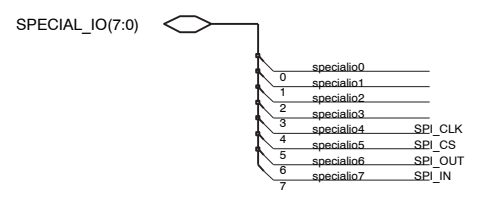
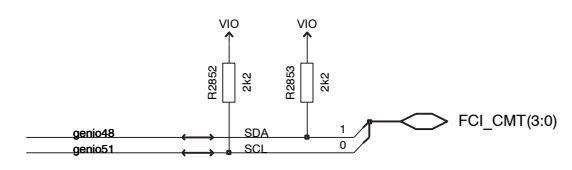
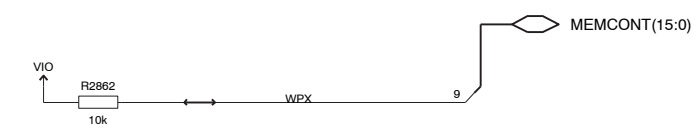
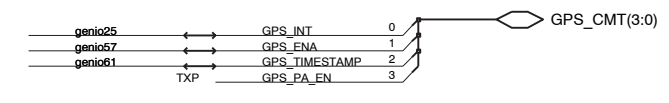


NOTE: MEMADDA(24:16) IS MUXED TO SDRAM_DA(24:16) IN RAPIDOYAWE



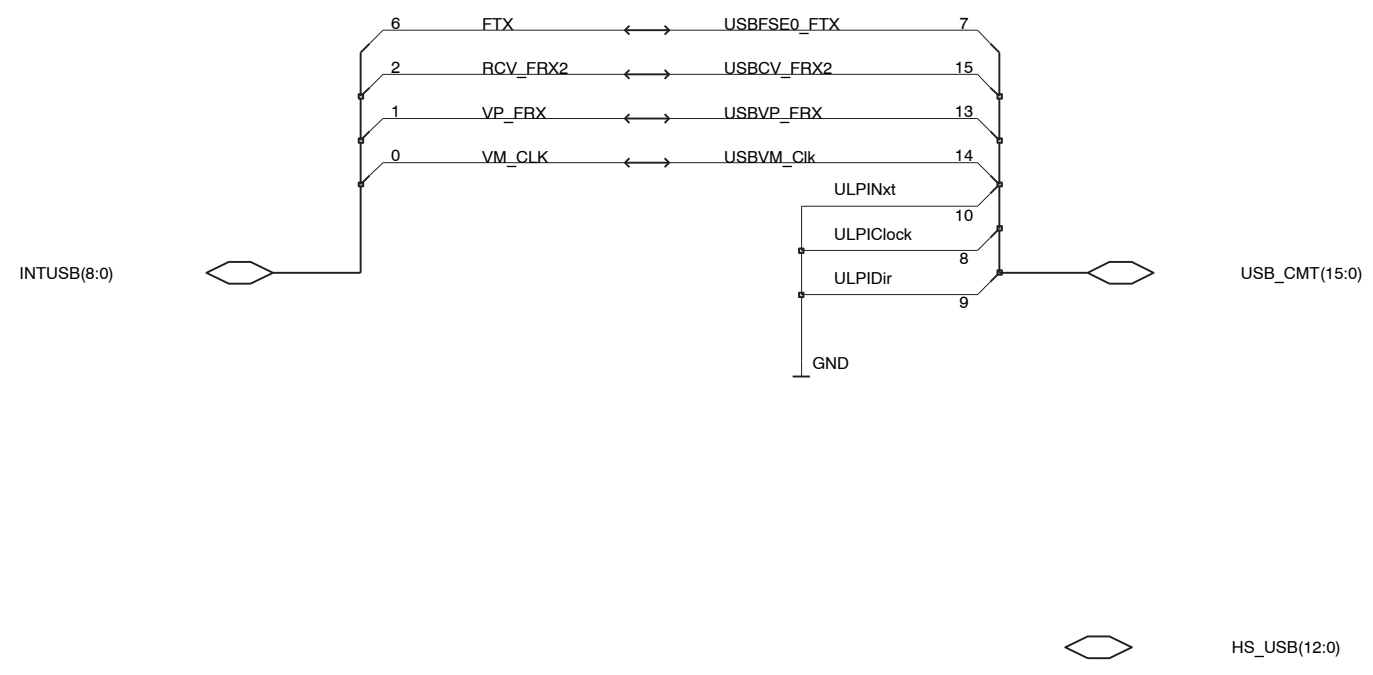


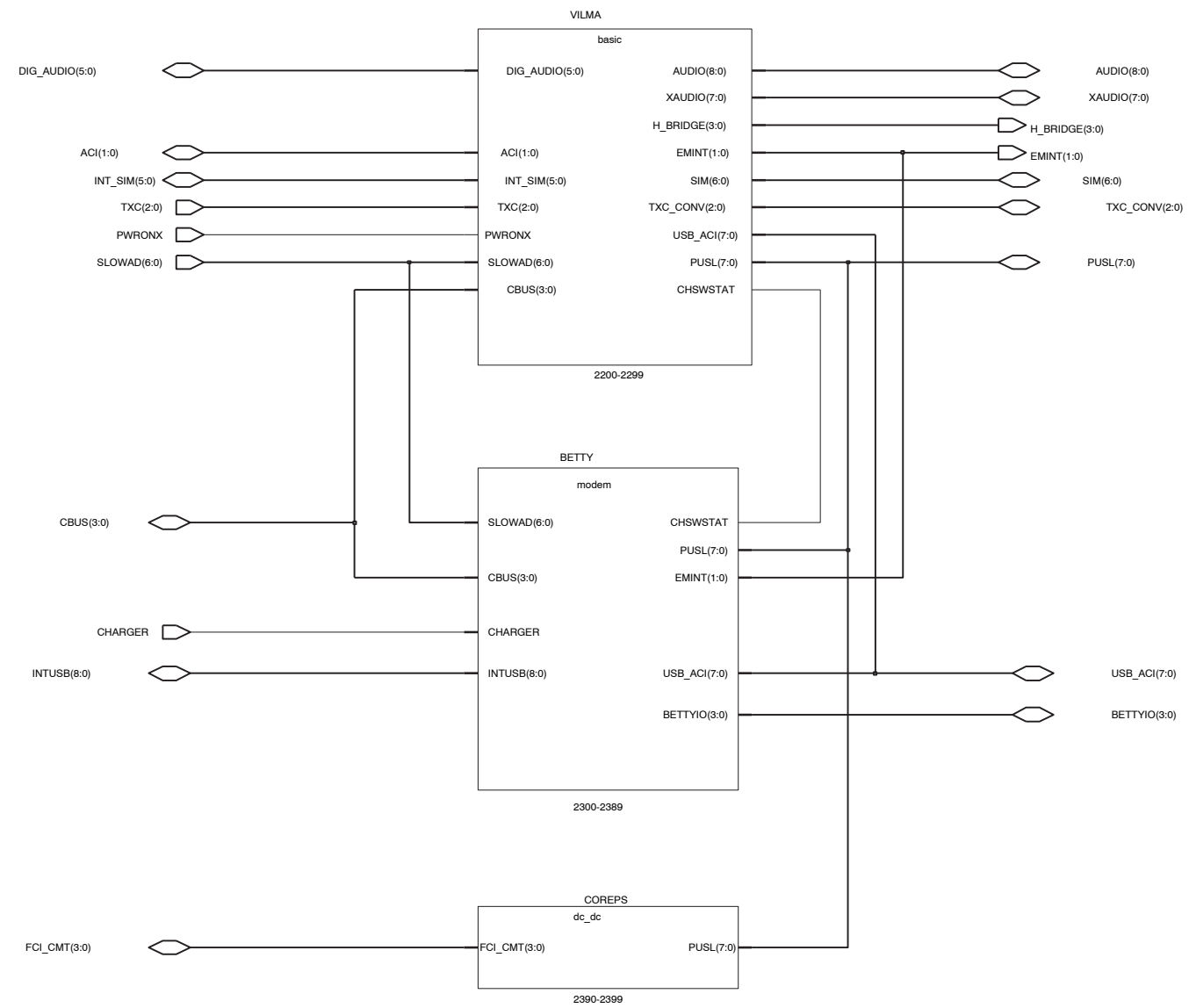
Note: GPS controls are to be changed

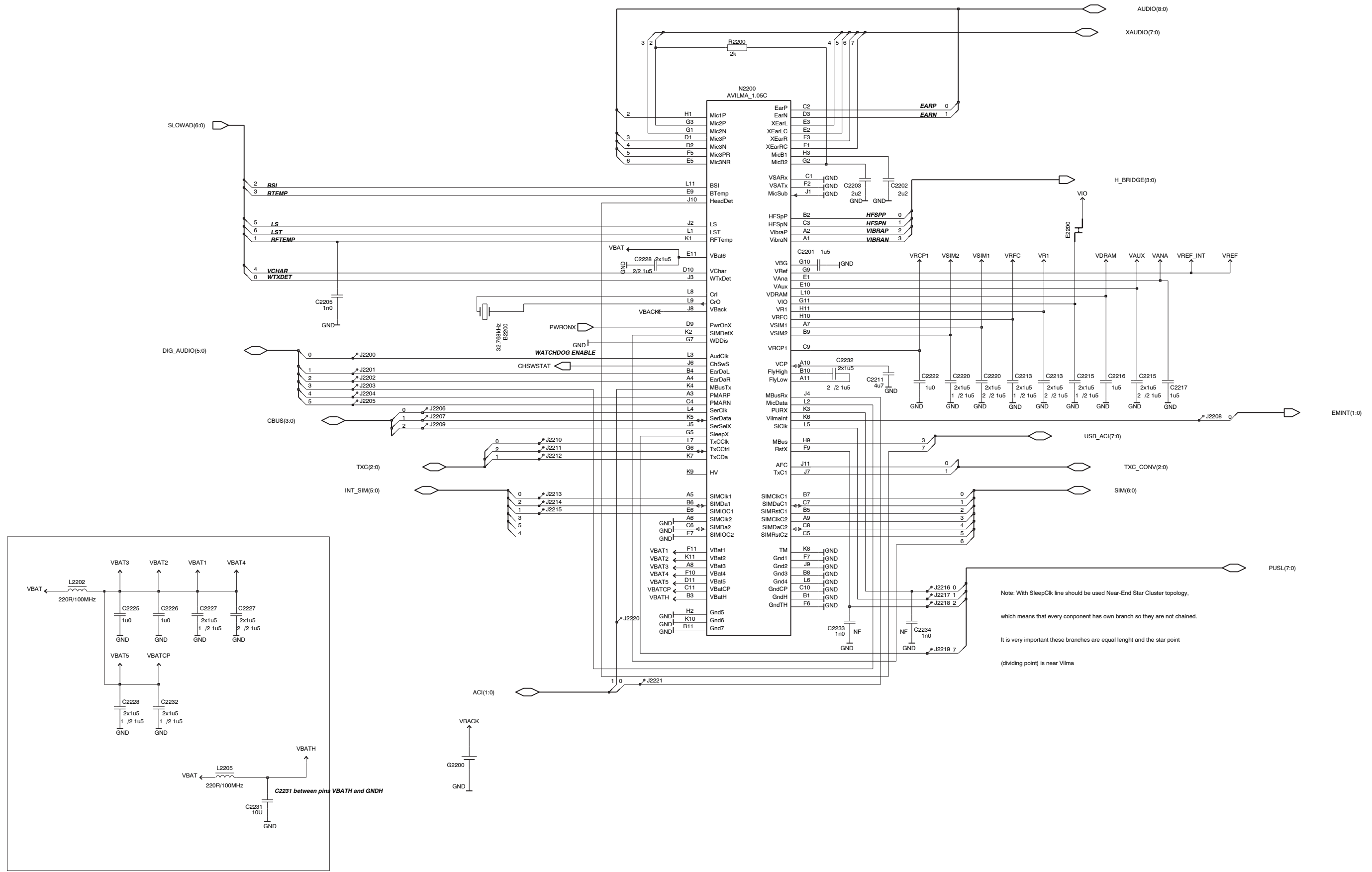


IF EXTERNAL CLOCK REQUESTS ARE NOT USED
PUSL LINES 7 AND 3 MUST BE CONNECTED

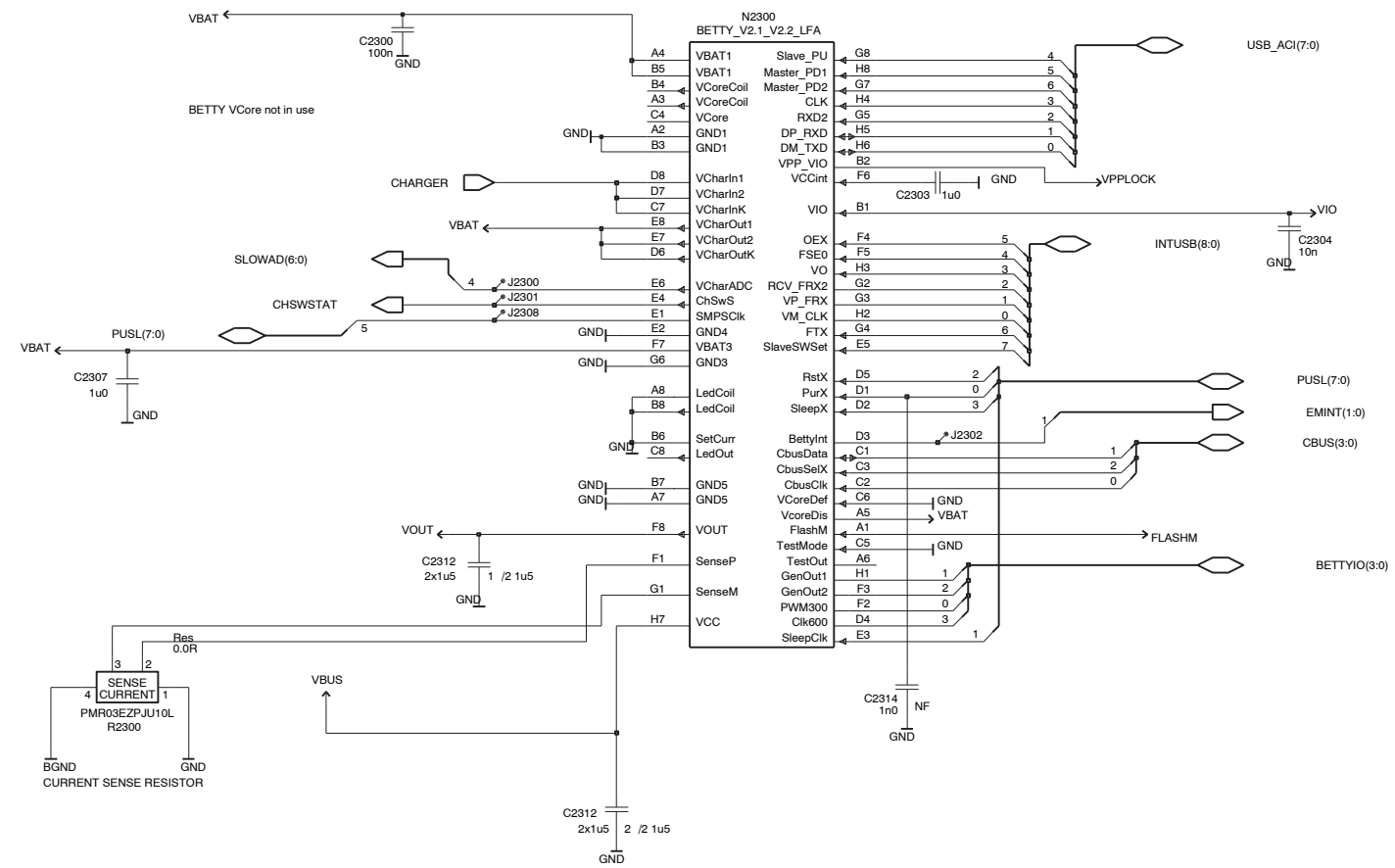
- FCI_CMT(3:0)
- SPI_CMT(5:0)
- RFID_CMT(1:0)
- USB_CMT(15:0)
- LPRF_CMT(7:0)
- TSI_CMT(2:0)
- KEYB_CMT(20:0)
- NAND(15:0)
- CAM_CTRL_CMT(4:0)
- MMC(14:0)
- LOSSI_CMT(5:0)
- WLAN_CMT(7:0)
- SPI_CMT(5:0)
- IRDA_CMT(2:0)
- VISSI_CMT(27:0)
- CCP_CMT(3:0)





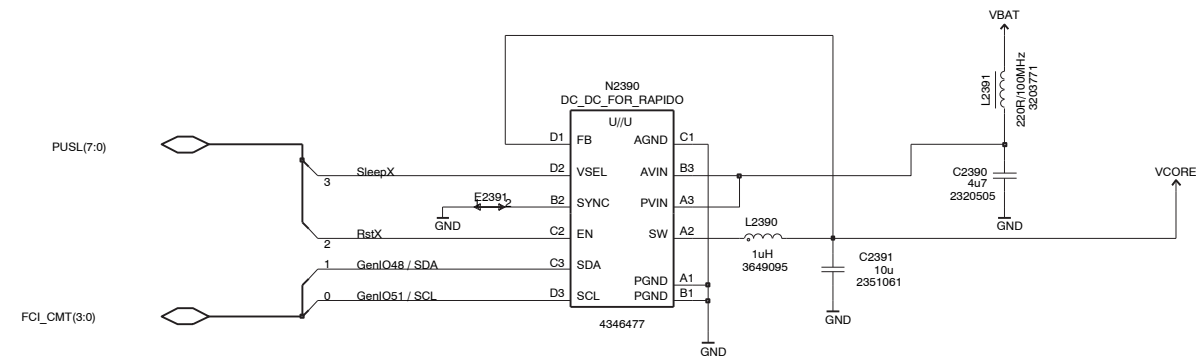


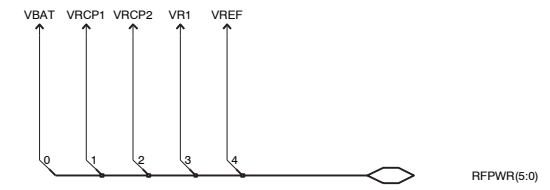
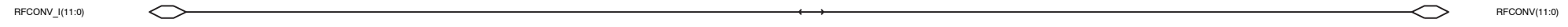
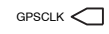
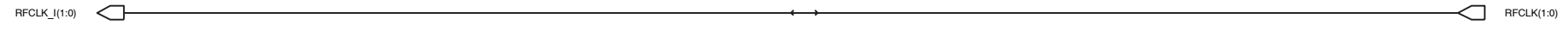
Note: With SleepCik line should be used Near-End Star Cluster topology, which means that every component has own branch so they are not chained. It is very important these branches are equal length and the star point (dividing point) is near Vilma

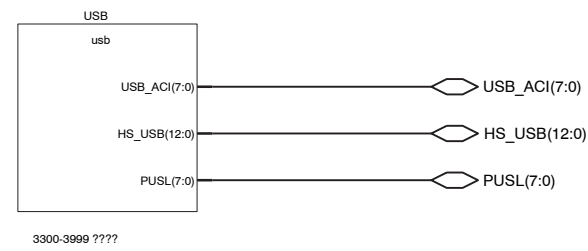
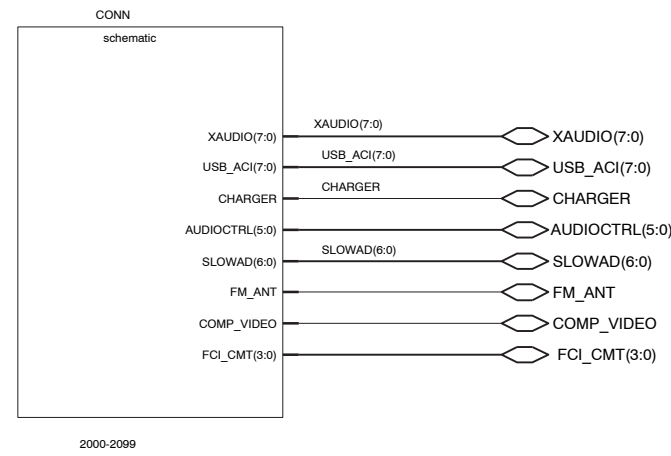
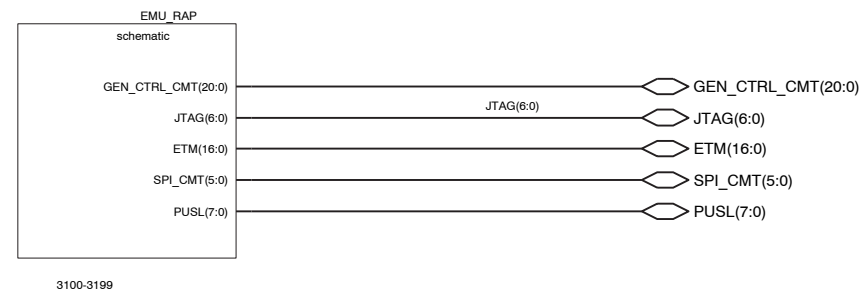
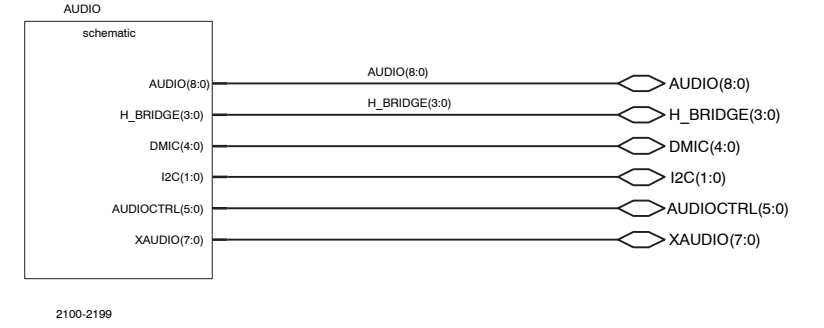
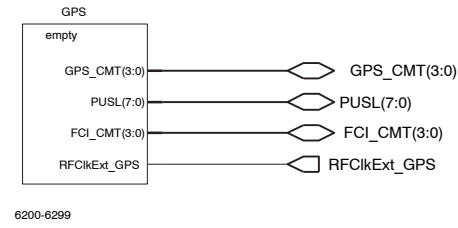
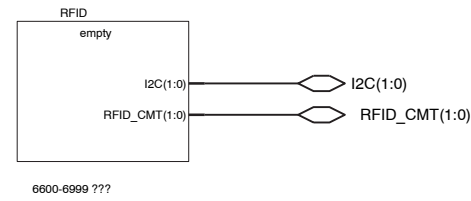


Reference schematic

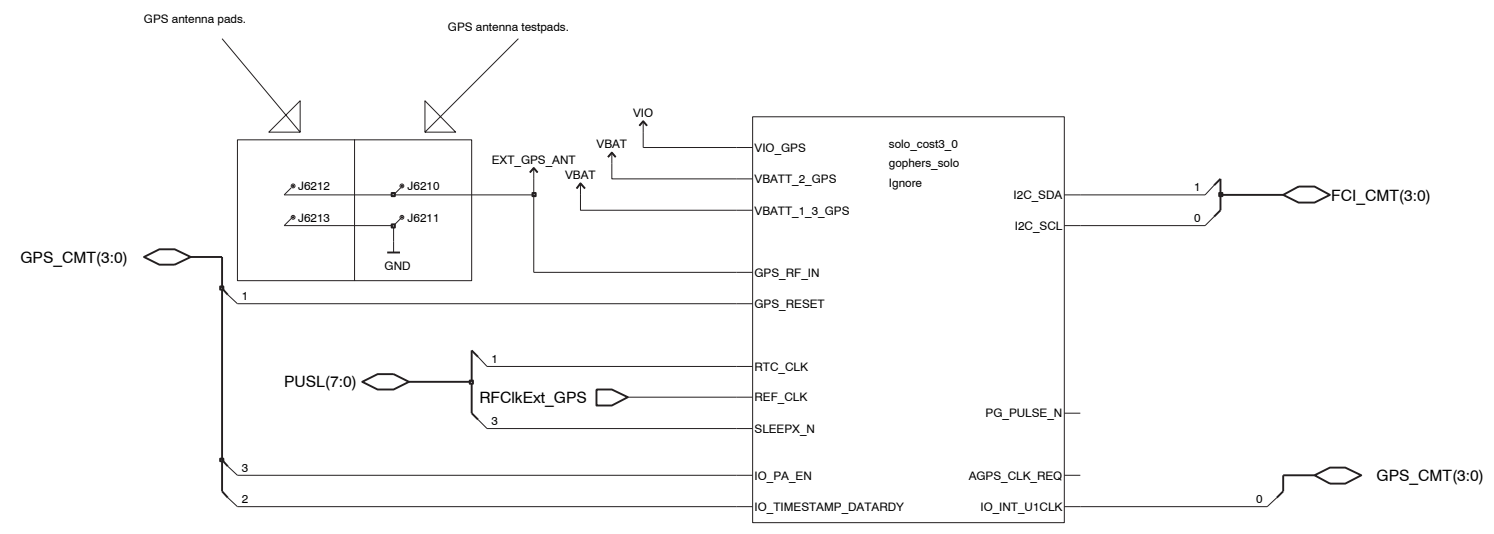
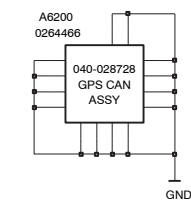
NOTE! SDA and SCL lines should include 10-47kOhm pull up resistors. Resistors value is dependent on number of I2C slaves

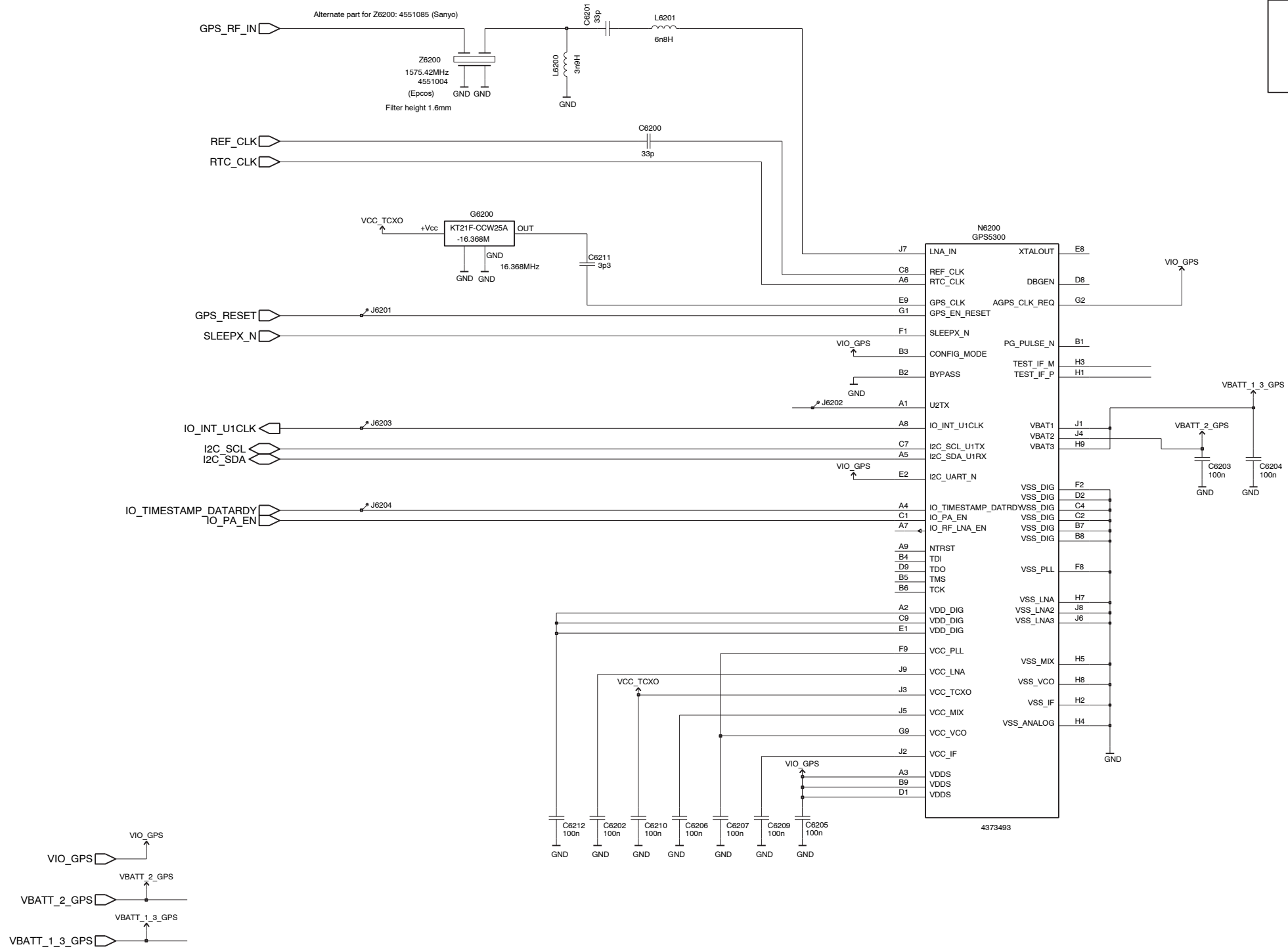






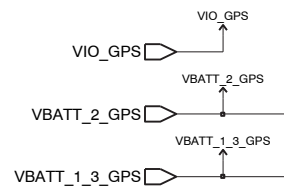
- ◊ PWRONX
- ◊ SLOWAD(6:0)
- ◊ VISSI_CMT(27:0)
- ◊ MESSI_CMT(25:0)
- ◊ LOSSI_CMT(5:0)
- ◊ KEYB_CMT(20:0)
- ◊ SPI_CMT(5:0)
- ◊ FCI_CMT(3:0)
- ◊ TSI_CMT(2:0)
- ◊ BETTYIO(3:0)
- ◊ SIM(6:0)
- ◊ MMC(14:0)
- ◊ I2C(1:0)
- ◊ PUSL(7:0)
- ◊ GEN_CTRL_CMT(20:0)
- ◊ COMP_VIDEO
- ◊ CCP_CMT(3:0)
- ◊ CAM_CTRL_CMT(4:0)
- ◊ USB_ACI(7:0)
- ◊ HS_USB(12:0)
- ◊ IRDA_CMT(2:0)
- ◊ FM_ANT
- ◊ AUDIO(8:0)
- ◊ PCM(3:0)
- ◊ LPRF_CMT(7:0)
- ◊ LPRFCLK_I
- ◊ WLAN_CMT(7:0)
- ◊ PCM(3:0)
- ◊ CBUS(3:0)

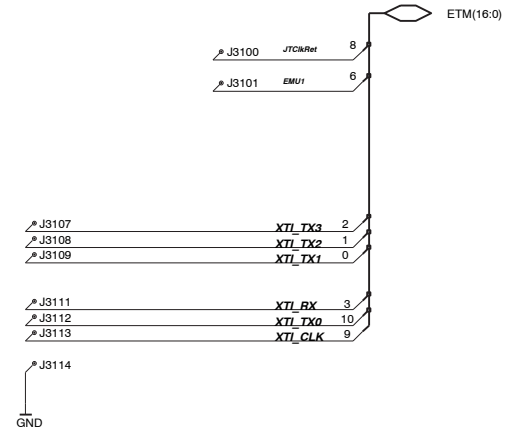
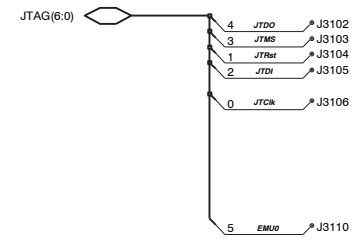
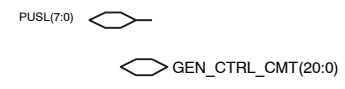


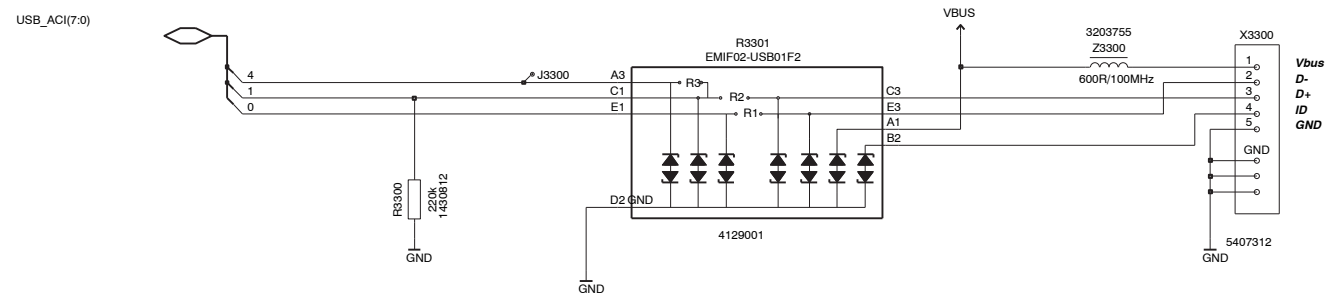


PIN	CONNECT TO	
	VIO_GPS	GND
I2C_UART_N	I2C MODE	UART MODE
BYPASS	CLOCK SLICER BYPASSED MODE [REF_CLK IS DIGITAL]	CLOCK SLICER ENABLED MODE [REF_CLK IS ANALOG]

▷ AGPS_CLK_REQ
▷ PG_PULSE_N









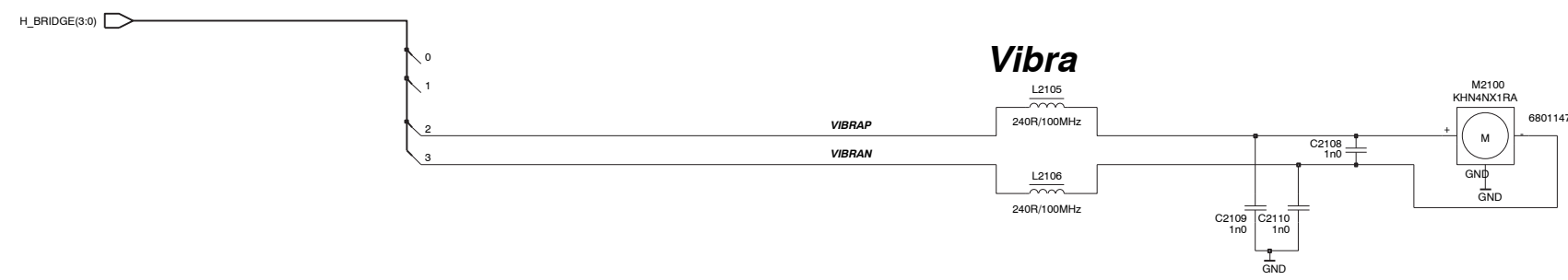
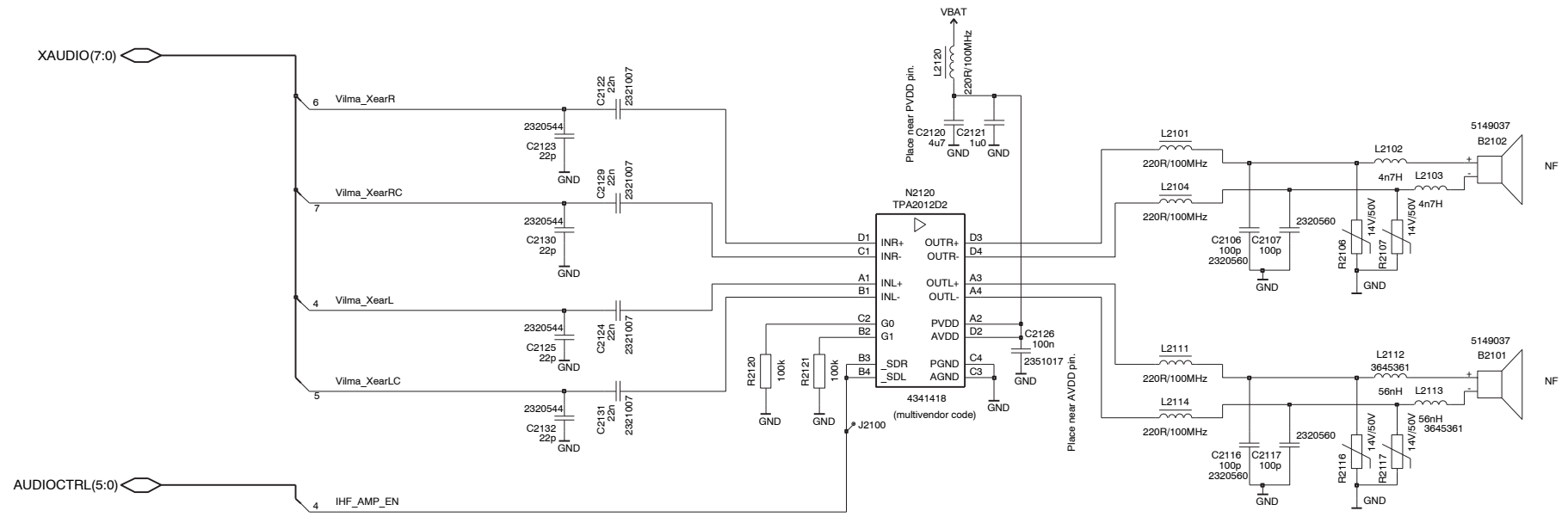
USB_ACI(7:0)

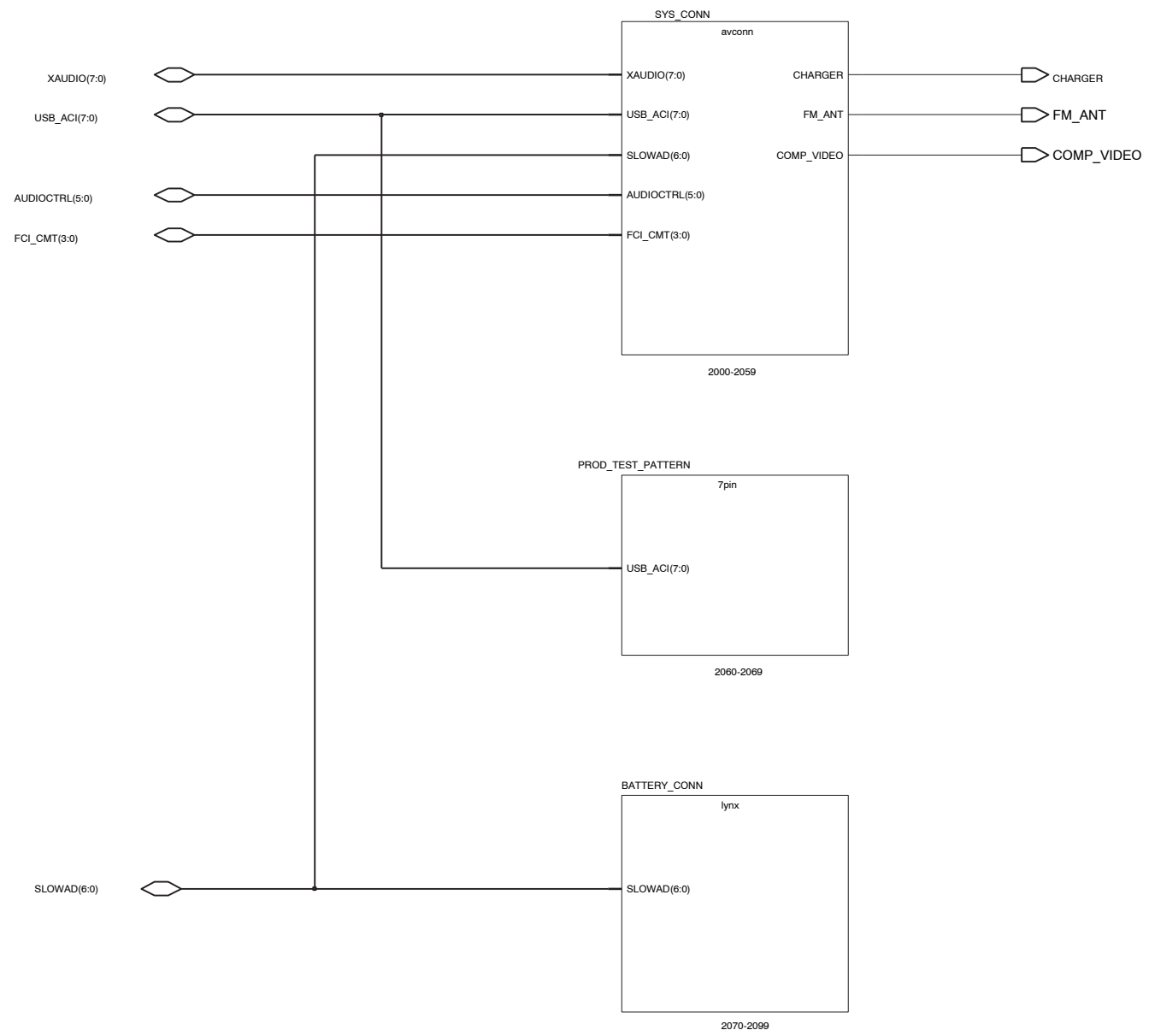
HS_USB(12:0)

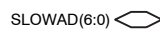
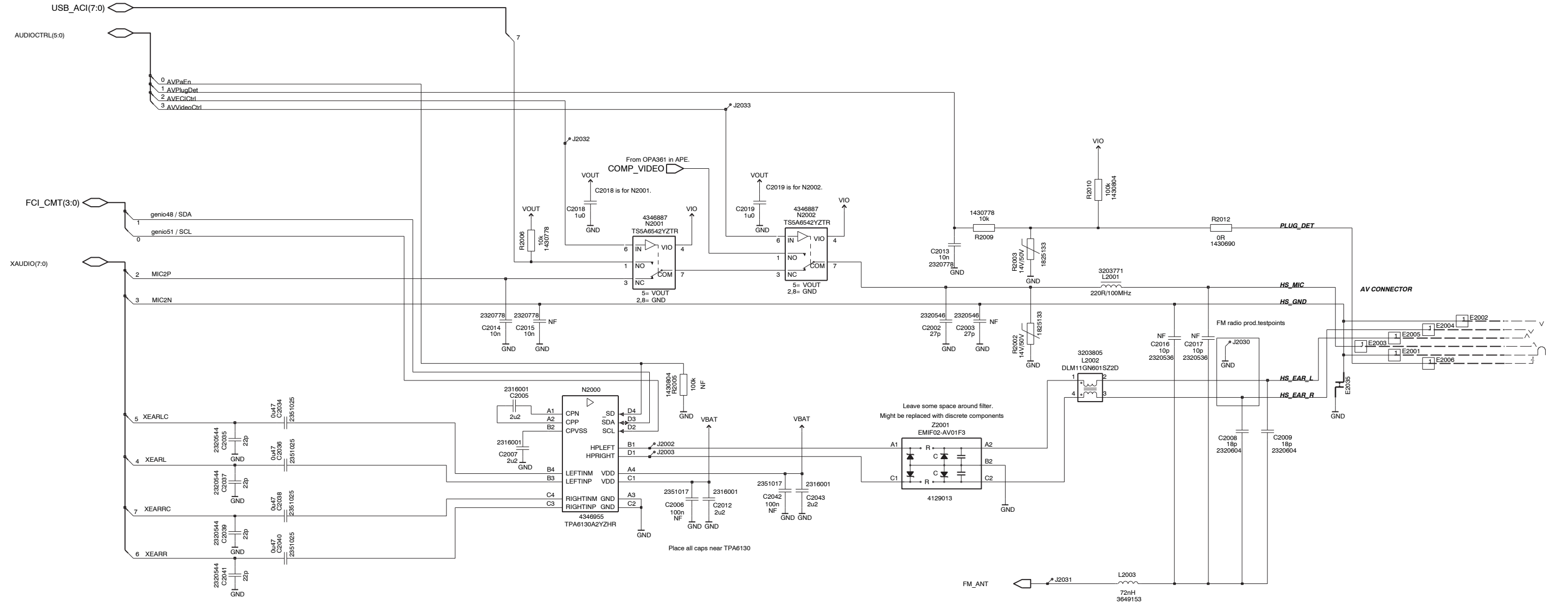
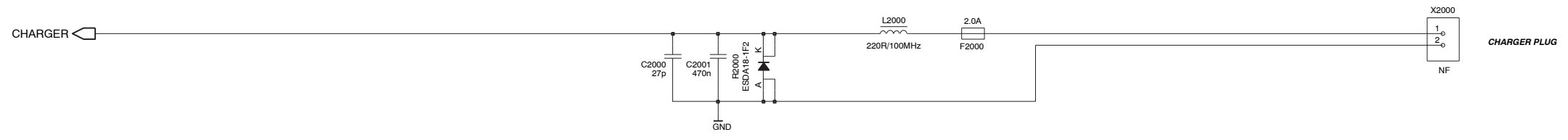
PUSL(7:0)

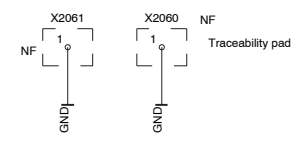
DMIC(4:0) 
I2C(1:0) 

IHF- connection

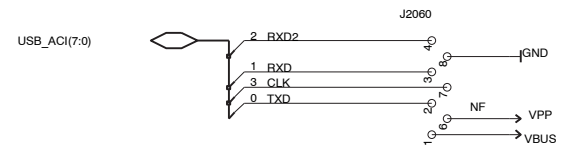


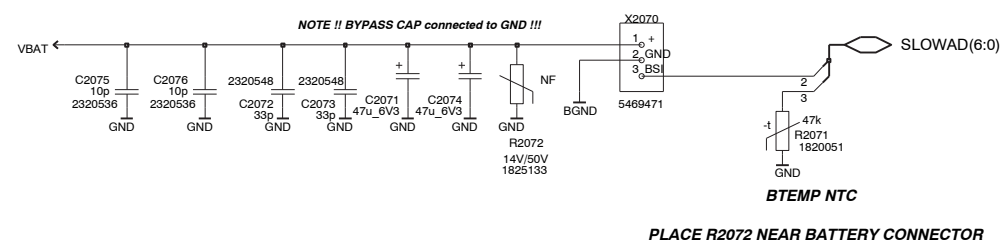


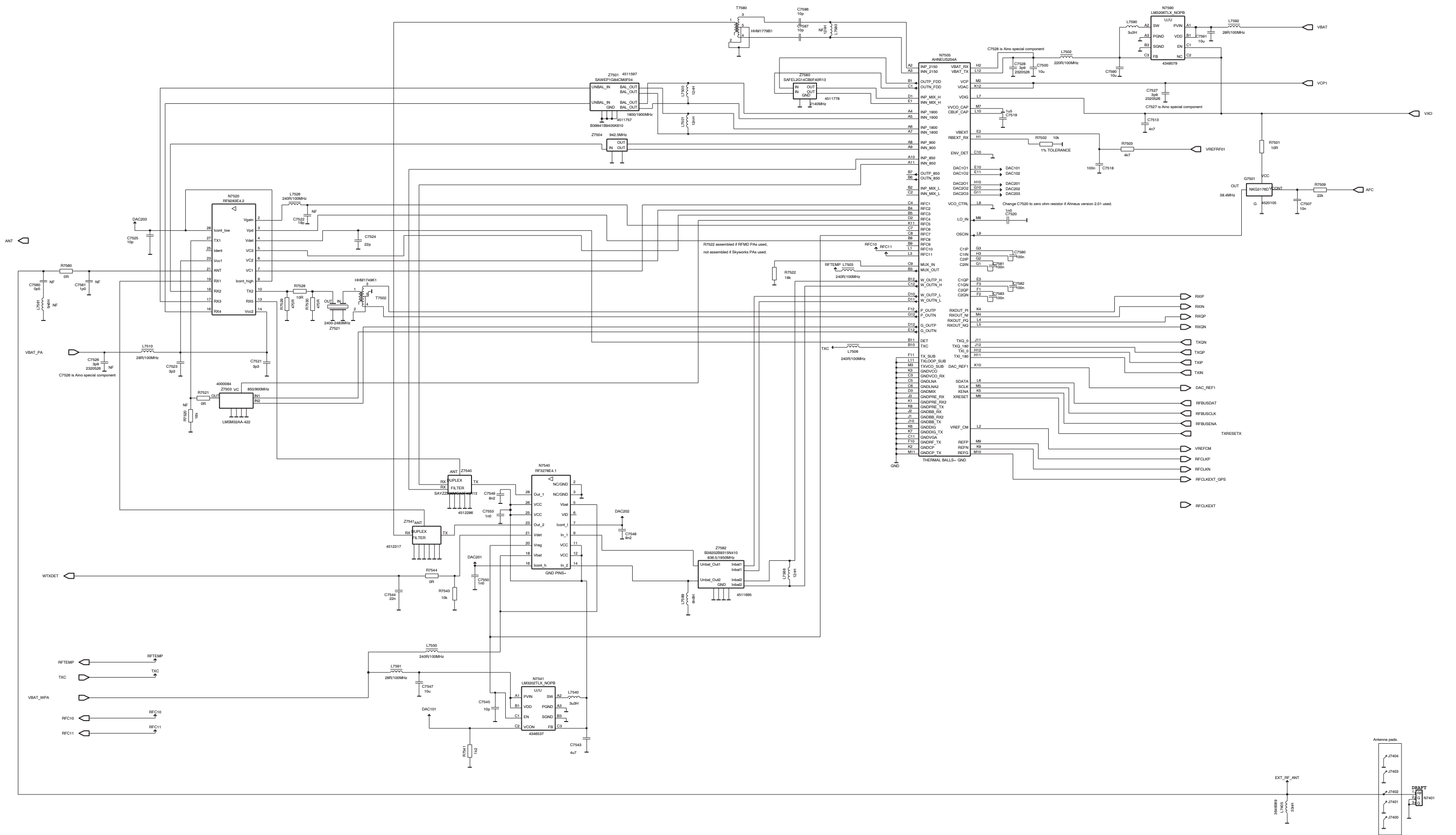


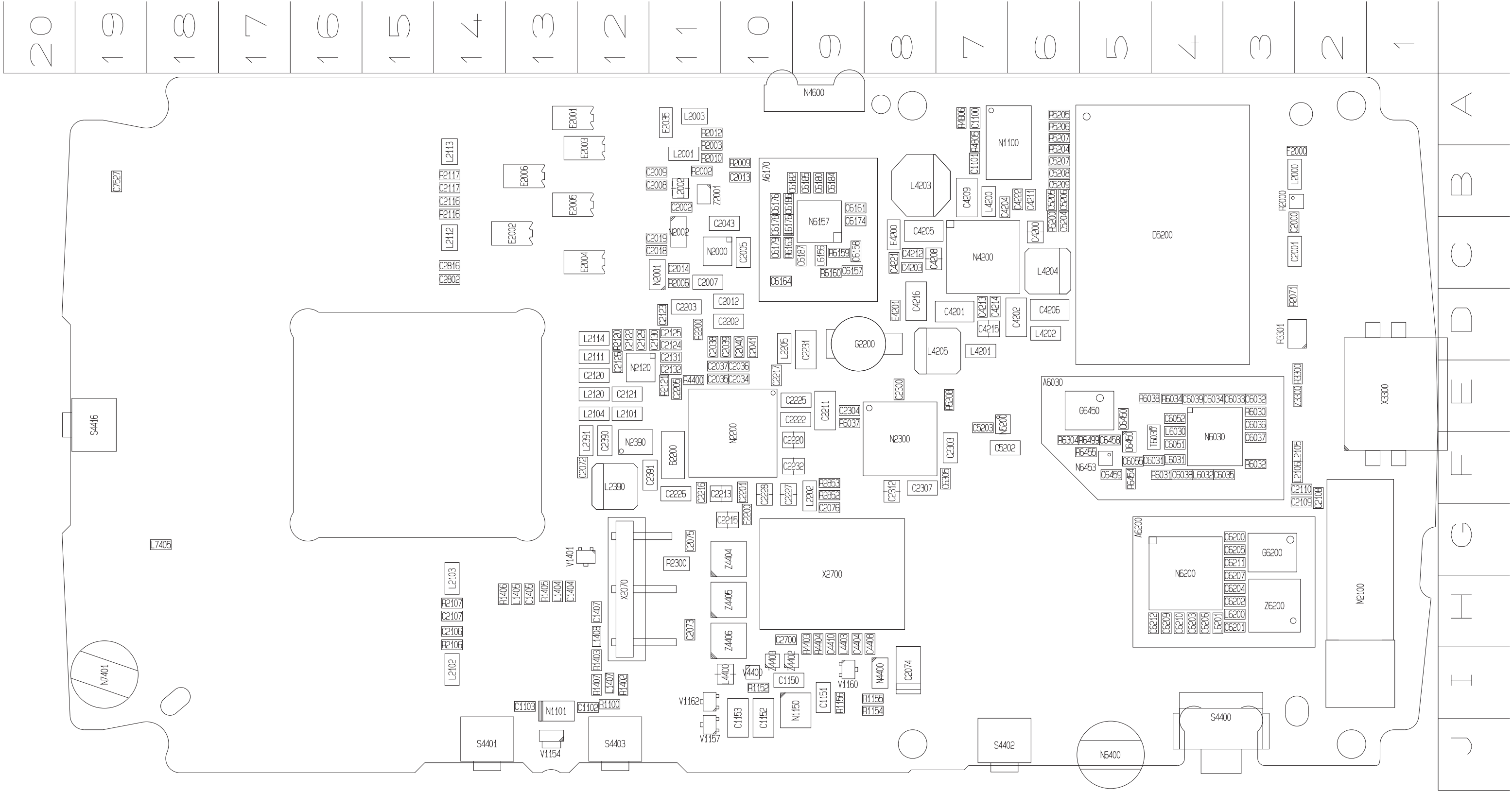


BB5.0 have defined 7-pin test pad pattern



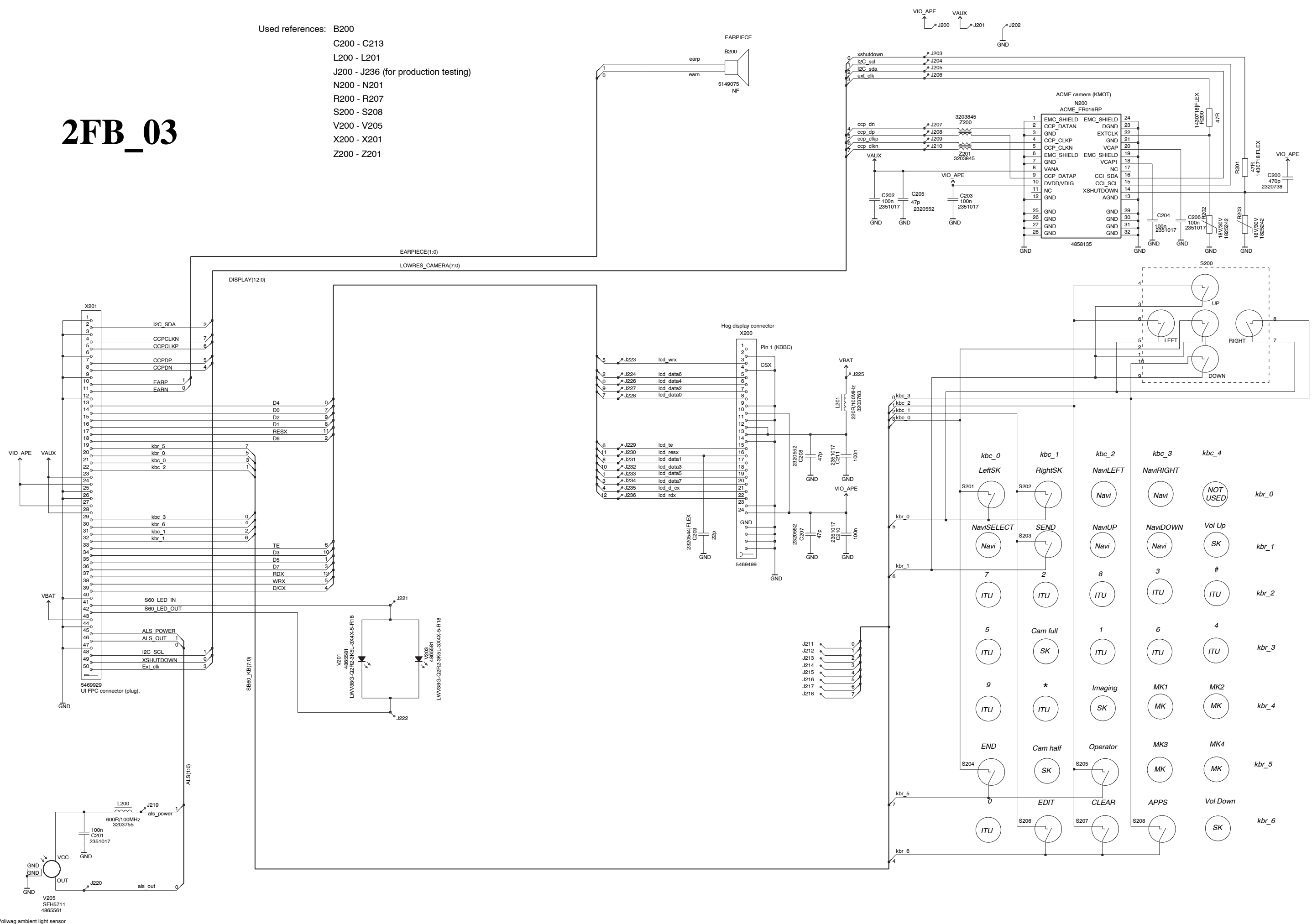




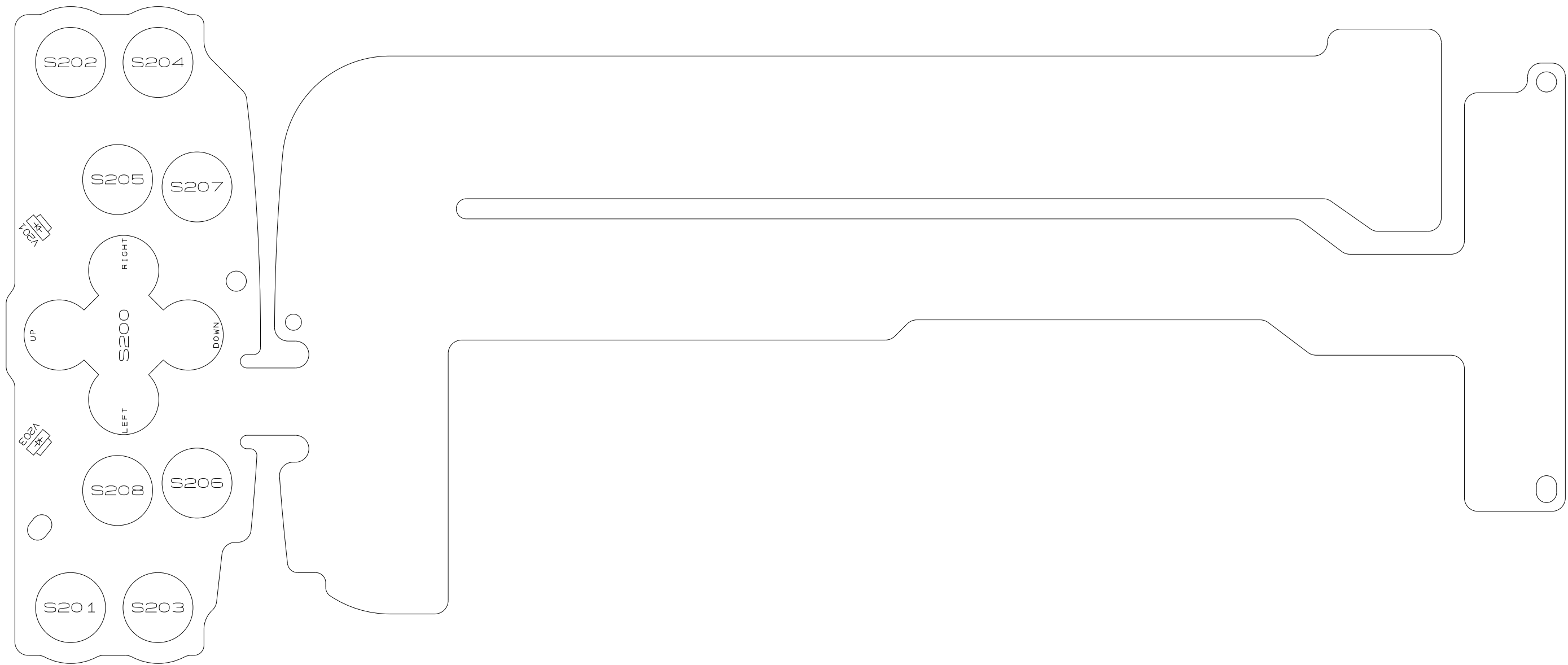


2FB_03

- Used references: B200
 C200 - C213
 L200 - L201
 J200 - J236 (for production testing)
 N200 - N201
 R200 - R207
 S200 - S208
 V200 - V205
 X200 - X201
 Z200 - Z201



Poliwag ambient light sensor



1	1
1	0
9	
8	
7	
6	
5	
4	
3	
2	
1	

Y	X	W	V	U	T	S	R	Q	P	O	N	M	L	K	J	I	H	G	F	E	D	C	B	A
---	---	---	---	---	---	---	---	---	---	---	---	---	---	---	---	---	---	---	---	---	---	---	---	---

