

# Service Schematics



## Introduction

### IMPORTANT:

This document is intended for use by authorized NOKIA service centers only.

“Service Schematics” was created with focus on customer care. The purpose of this document is to provide further technical repair information for NOKIA mobile phones on Level 3/4 service activities. It contains additional information such as e.g. “Component finder”, “Frequency band table” or “Antenna switch table”. The “Signal overview” page gives a good and fast overview about the most important signals and voltages on board. Saving process time and improving the repair quality is the aim of this document. It is to be used additionally to the service manual and other training or service information such as Service Bulletins.

All measurements were made using following equipment:

Nokia repair SW	: Phoenix version 2004.39.7.70
Oscilloscope	: Fluke PM 3380A/B
Spectrum Analyzer	: Advantest R3162 with an analog probe
RF-Generator / GSM Tester	: Rhode & Schwarz CMU 200
Multimeter	: Fluke 73 Series II

While every endeavour has been made to ensure the accuracy of this document, some errors may exist. If the reader finds any errors, NOKIA should be notified in writing.

Please send E-Mail to: [training.sace@nokia.com](mailto:training.sace@nokia.com)

Copyright © NOKIA

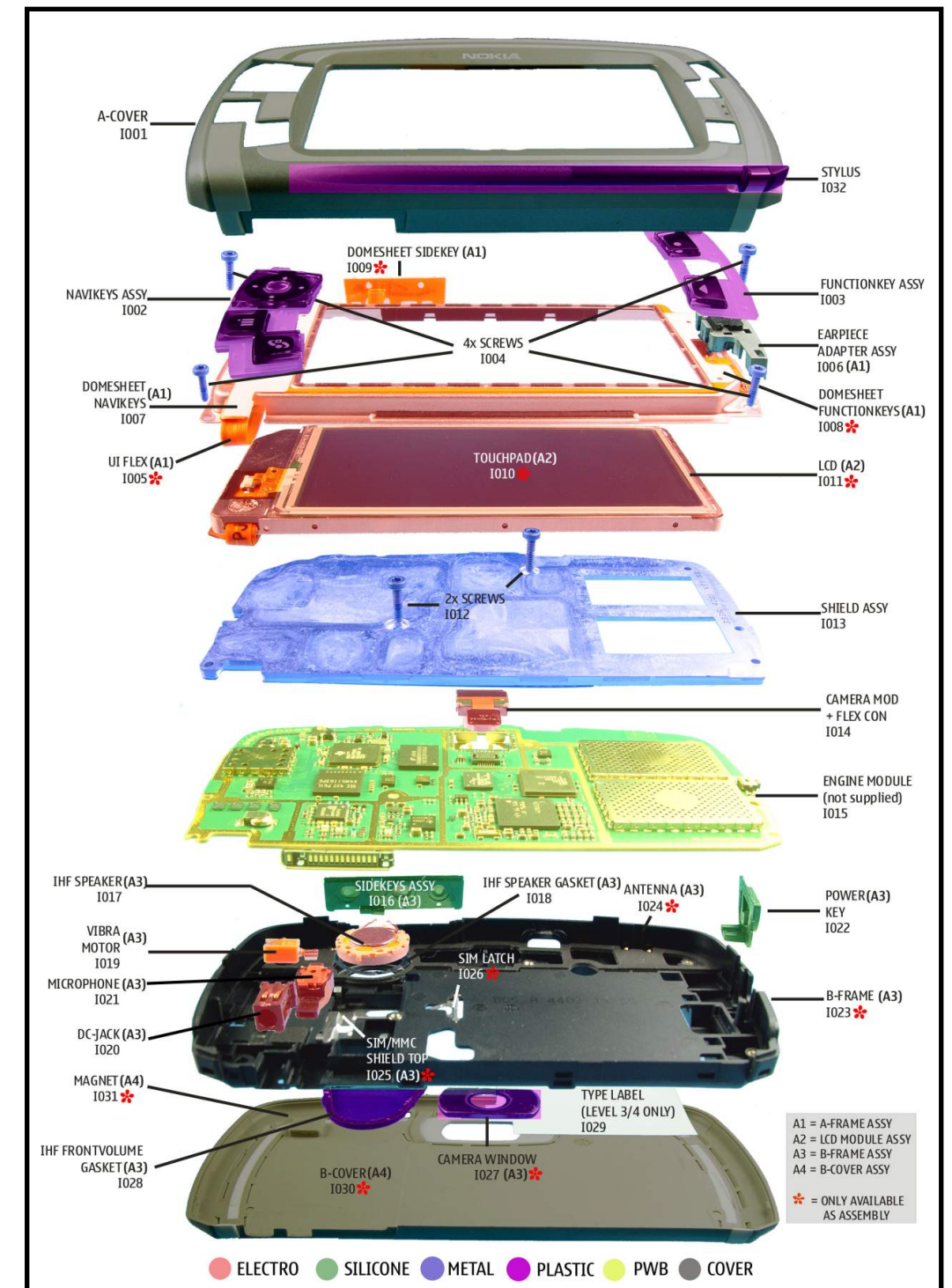
This material, including documentation and any related computer programs is protected by copyright, controlled by NOKIA. All rights are reserved. Copying, including reproducing, modifying, storing, adapting or translating any or all of this material requires the prior written consent of NOKIA. This material also contains confidential information, which may not be disclosed to others without the prior written consent of NOKIA.

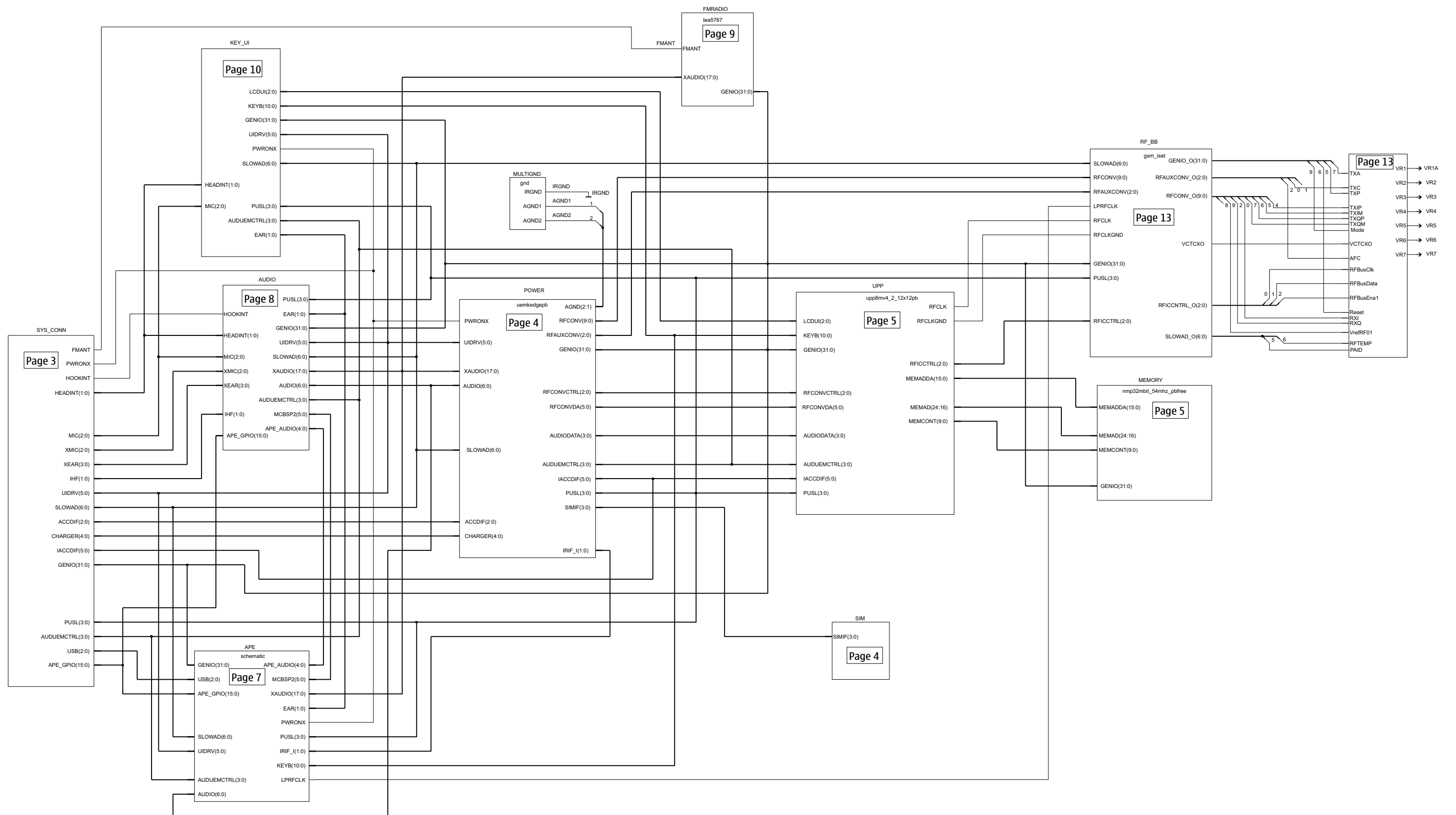
## RM-12

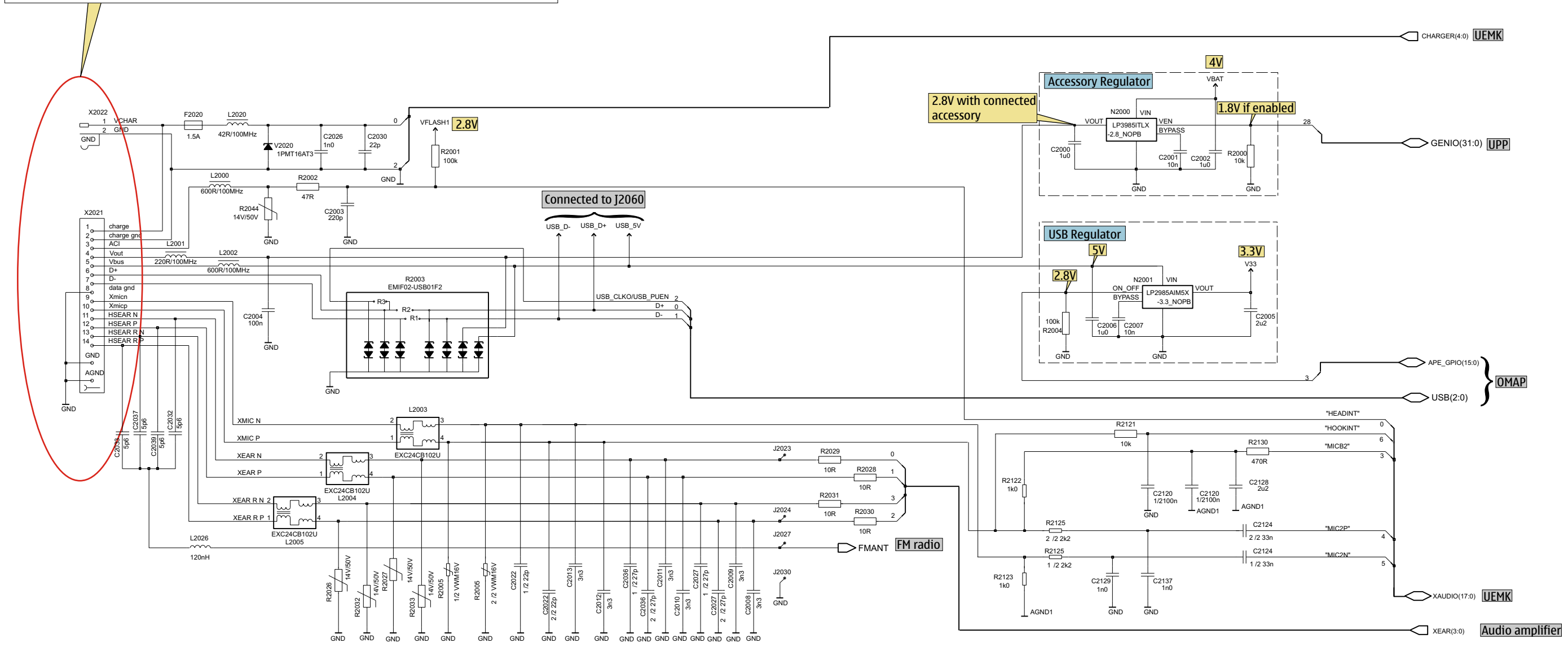
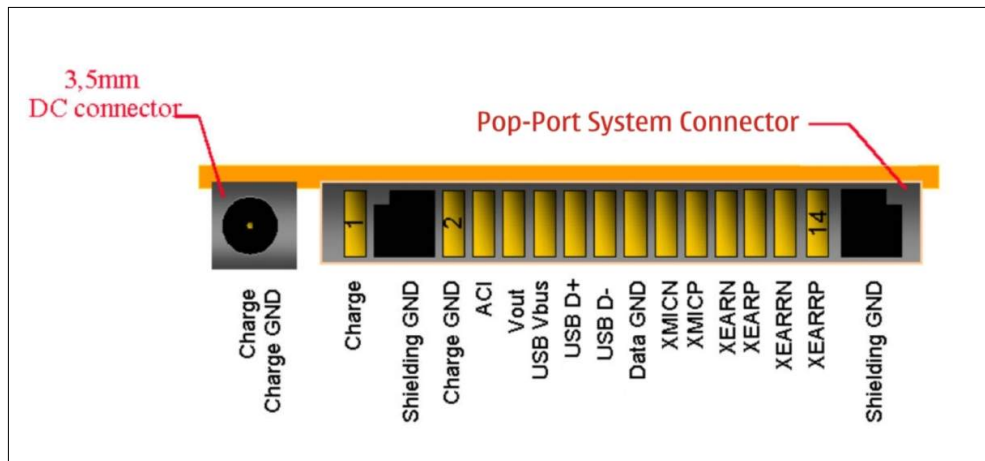


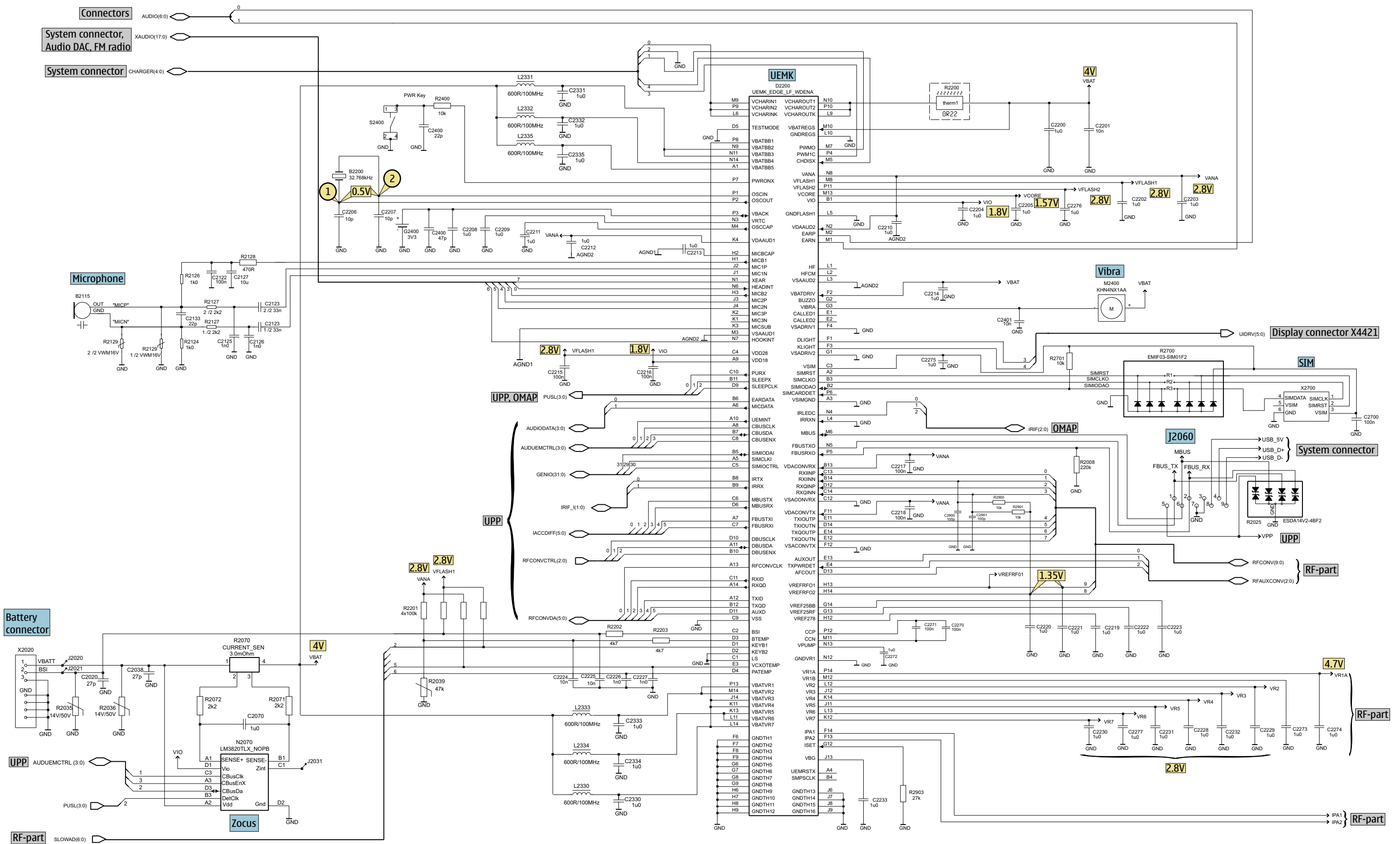
Table of Contents	Page
Frontpage	1
DCT4 common baseband	2
System connector	3
UEMK, SIM, ZOCUS, Vibra	4
UPP, Flash	5
APE overview	6
OMAP	7
Audio DAC, Audio amplifier	8
FM radio	9
Connectors	10
Camera	11
Bluetooth	12
RF part	13
Signal overview	14
Component finder	15

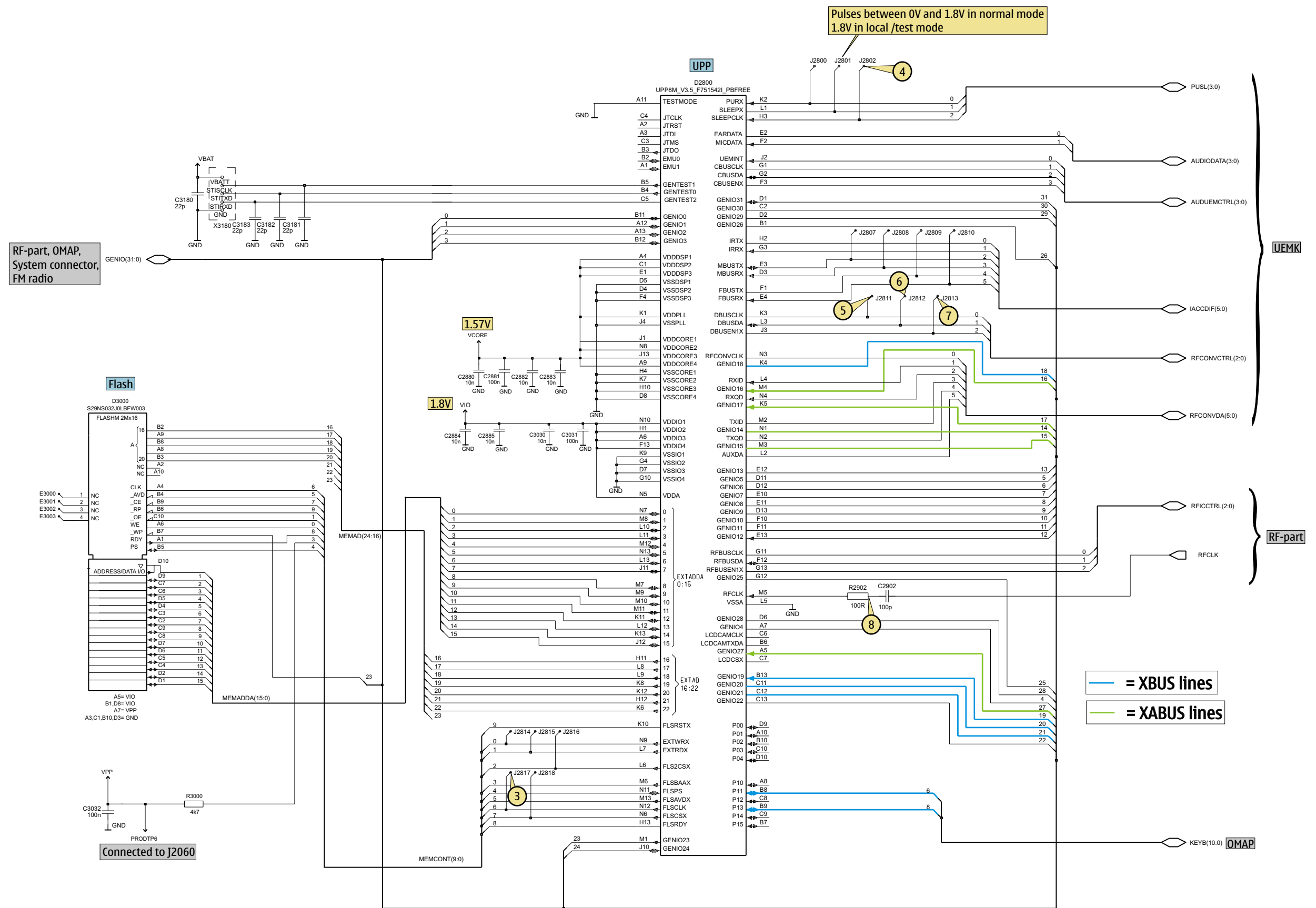
## Exploded view and component disposal

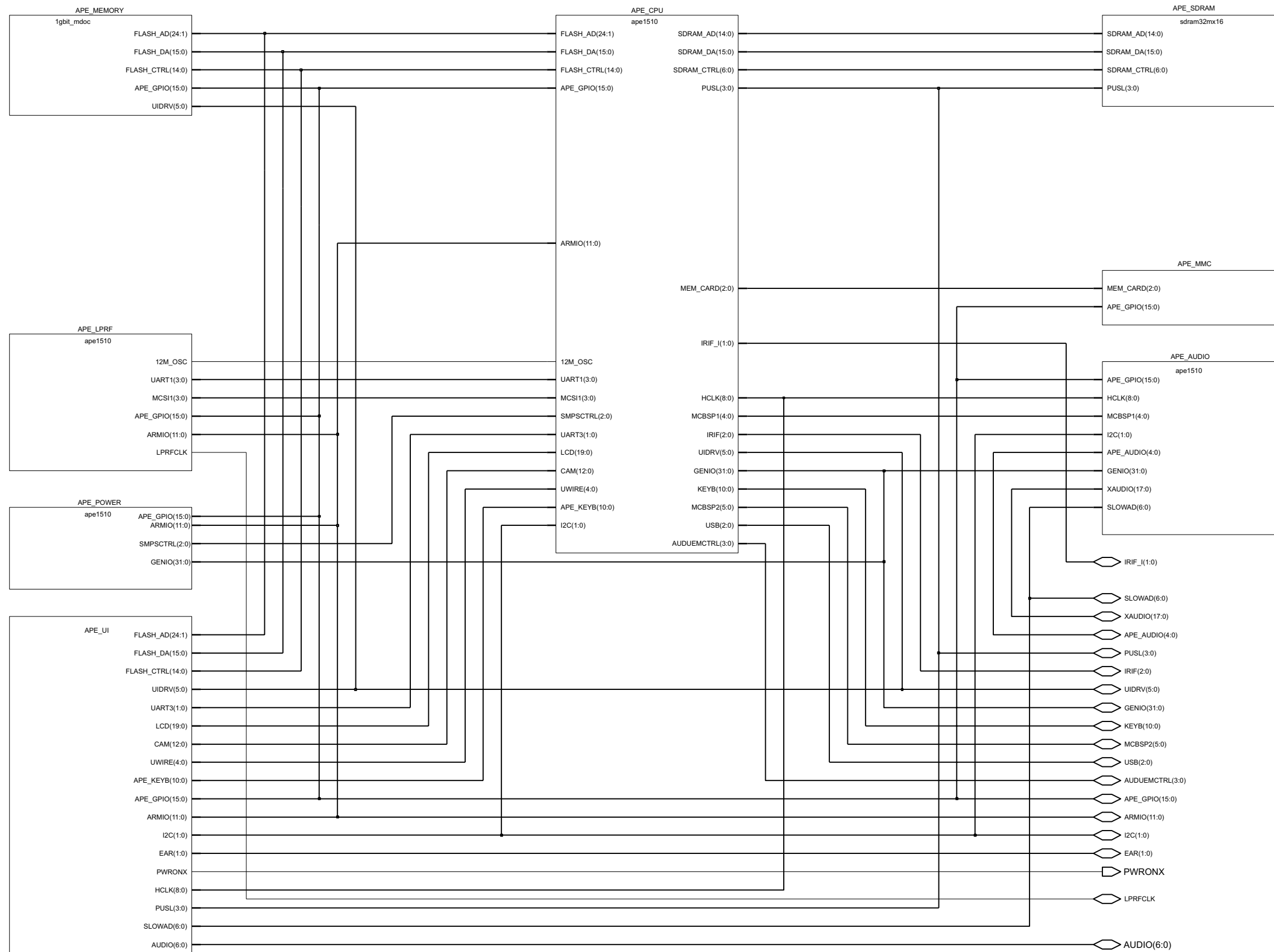




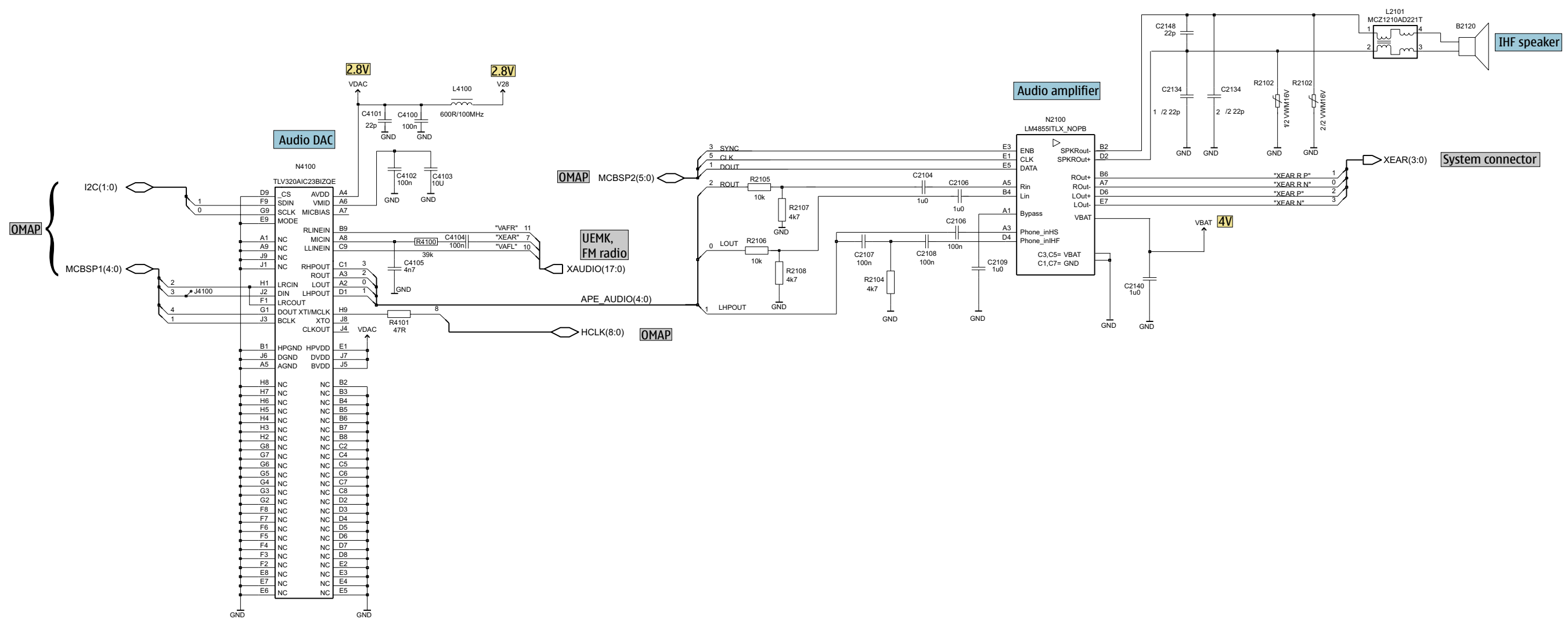




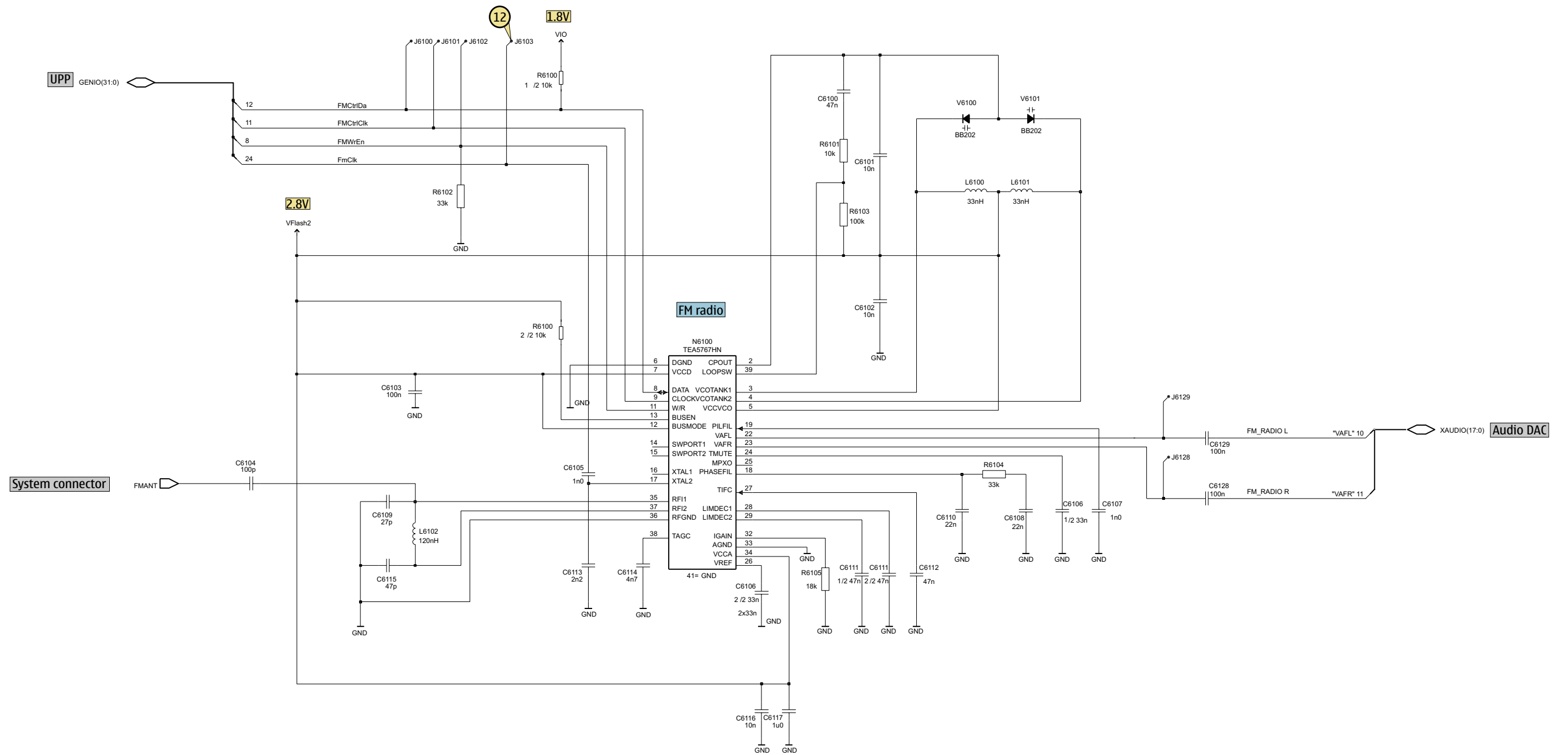


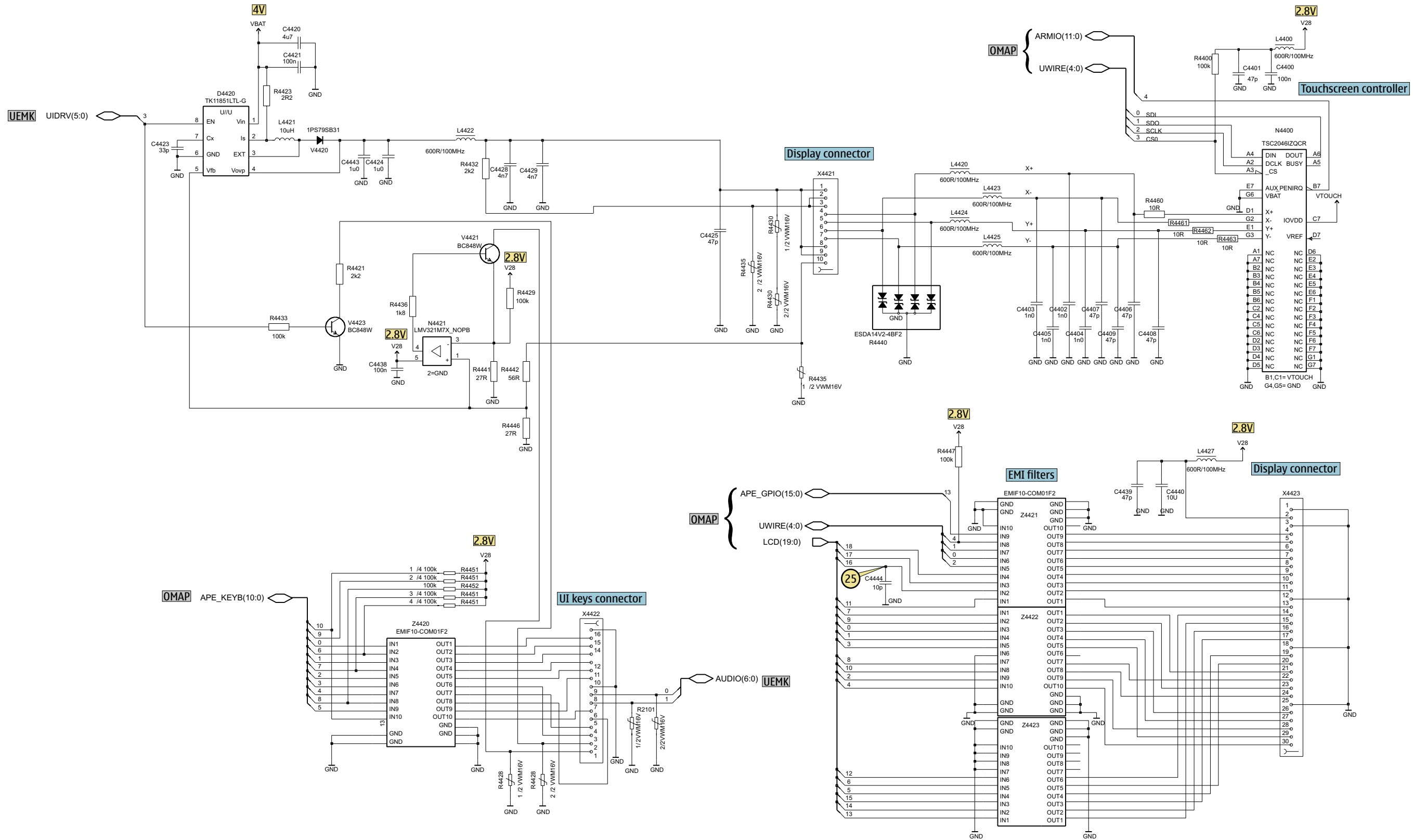


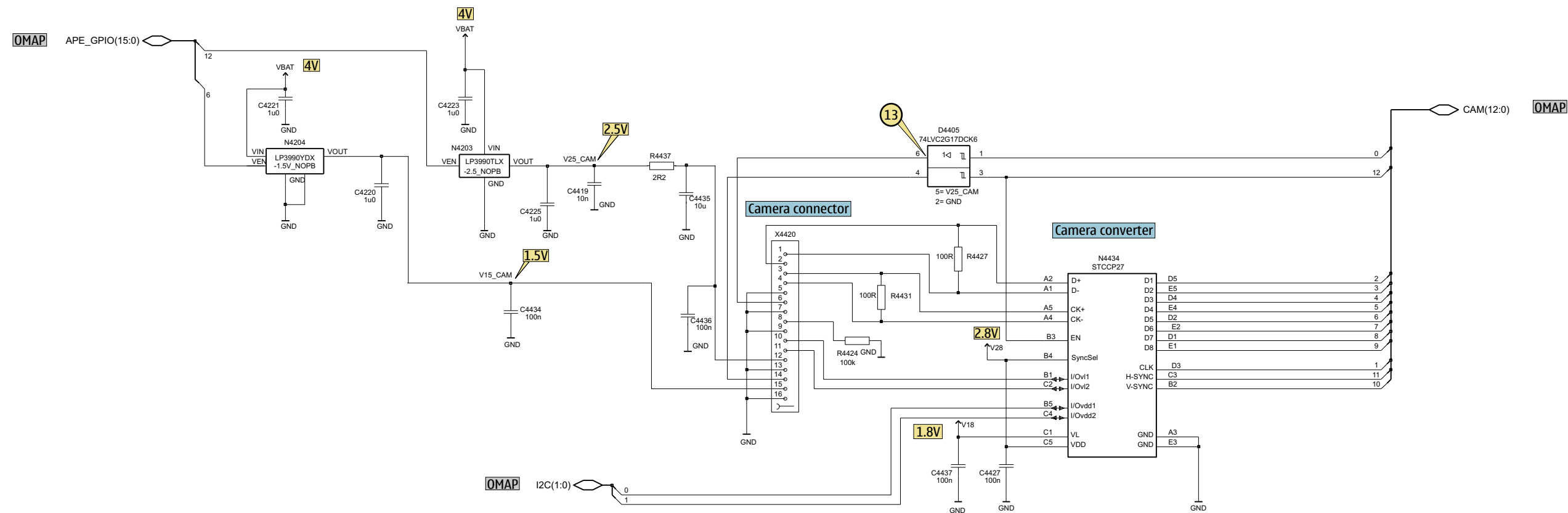


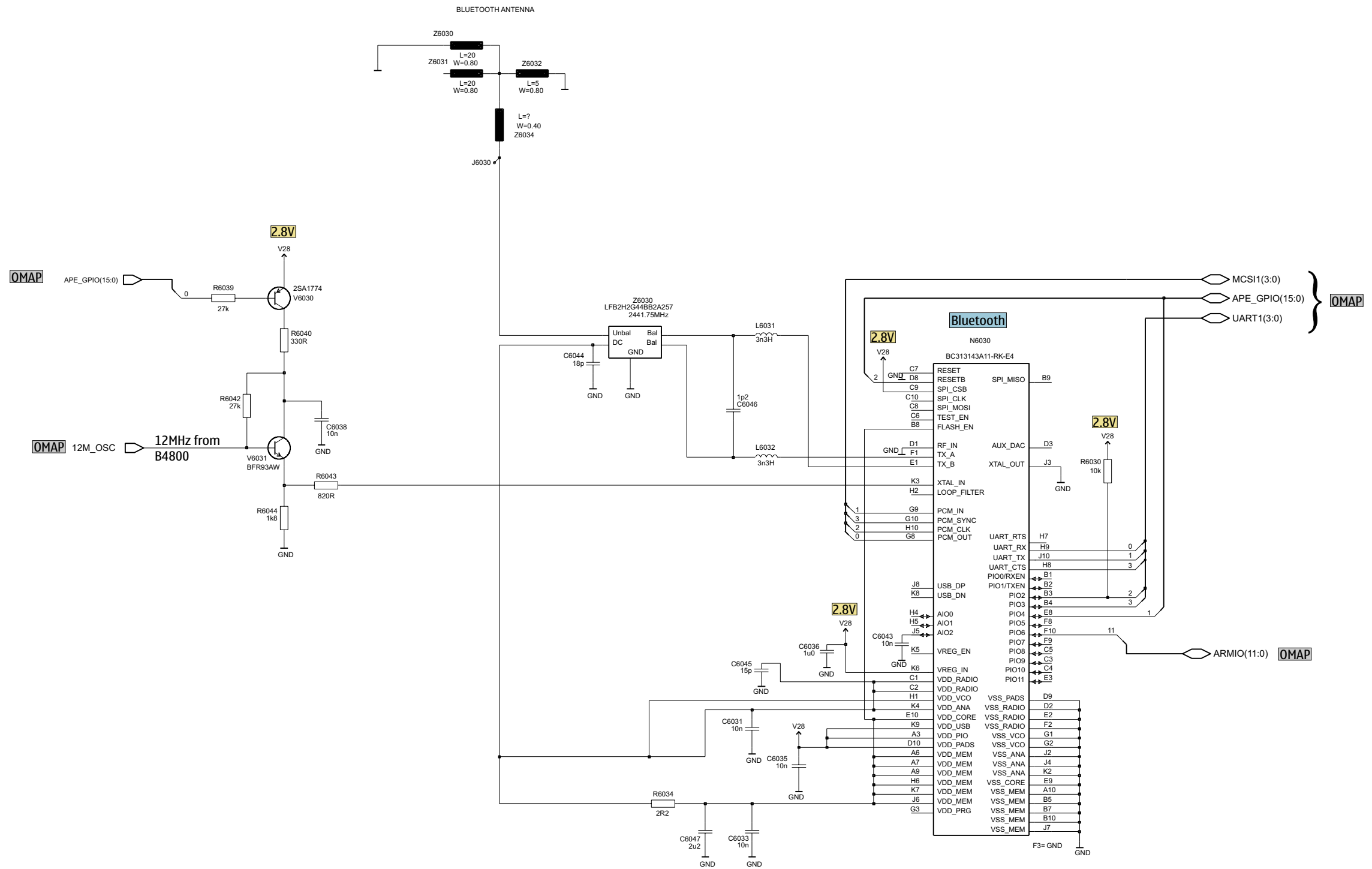












Switch mode	VC1	VC2	VC3
EGSM_RX	-	-	-
1800_RX	-	-	-
1900_RX	2.8Vpp	-	-
EGSM_TX	-	-	2.8Vpp
1800/1900_TX	2.8Vpp	2.8Vpp	-

Band	Channel	RX	VCO/RX	VC/RX	TX	VCO/TX	VC/TX
EGSM 900	37	942.4MHz	3769.6MHz	~2.75V	897.4MHz	3589.6MHz	~2.01V
GSM 1800	700	1842.8MHz	3685.6MHz	~2.40V	1747.8MHz	3495.6MHz	~1.61V
GSM 1900	661	1960.0MHz	3920.0MHz	~3.31V	1880.0MHz	3760.0MHz	~2.71V

