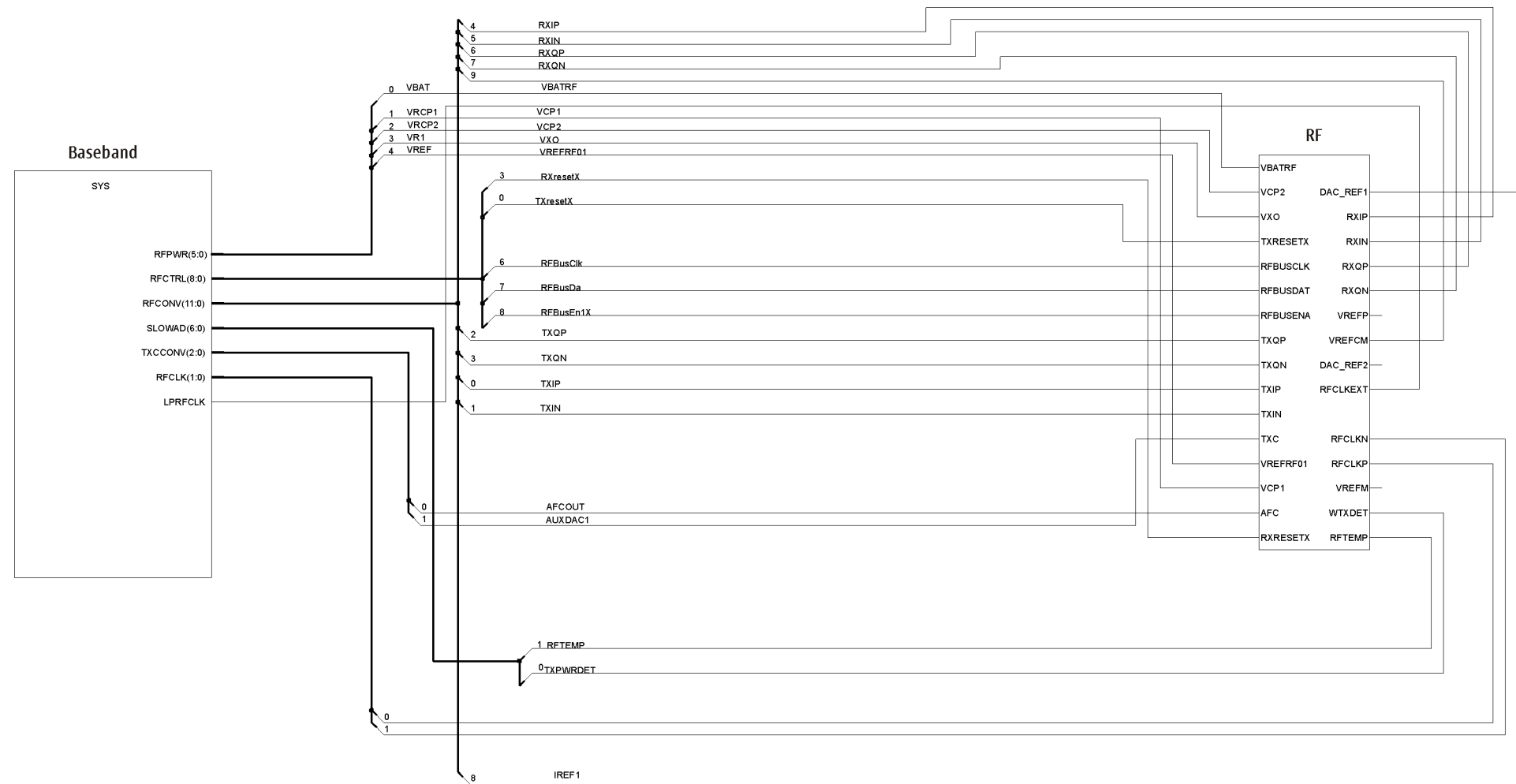
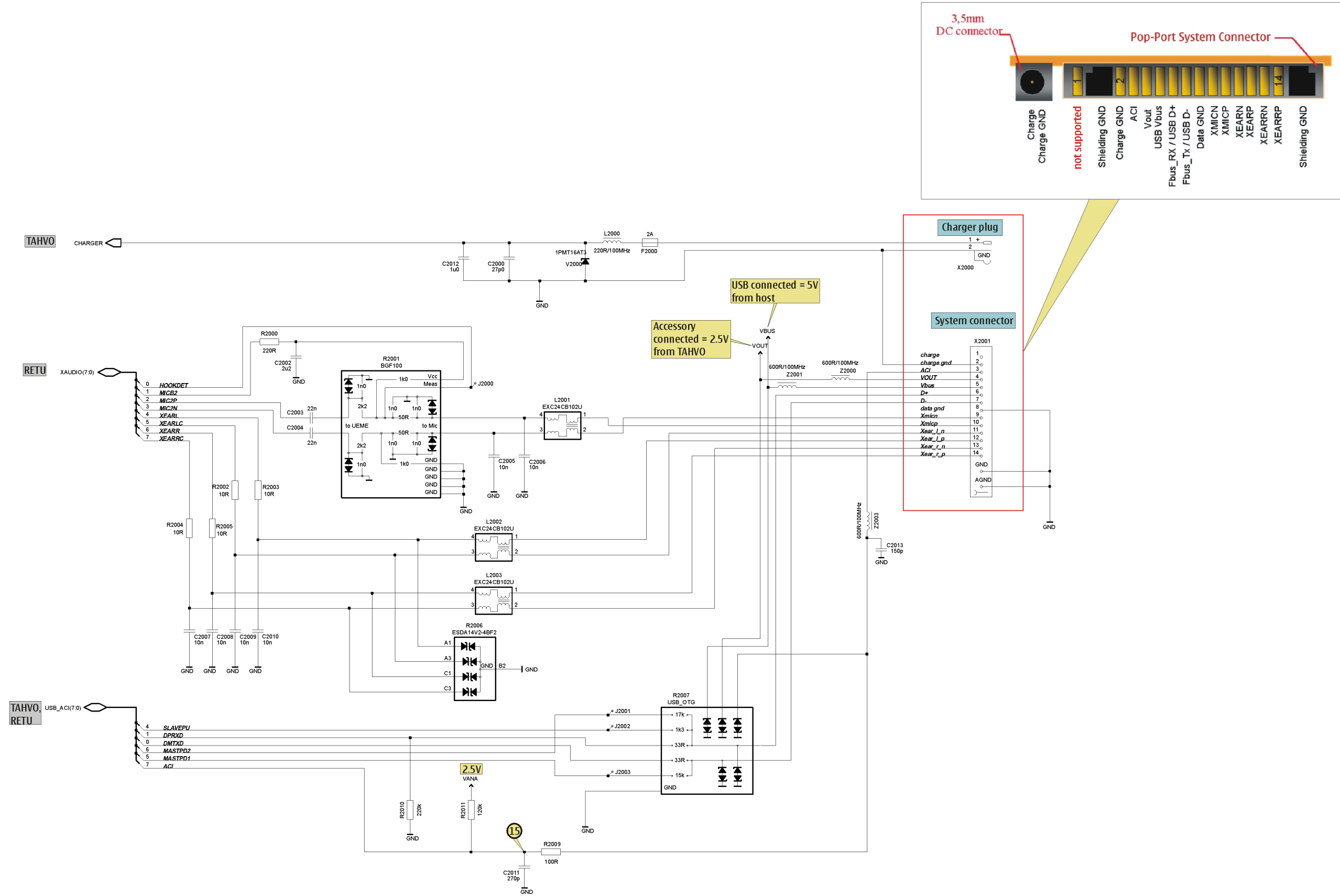


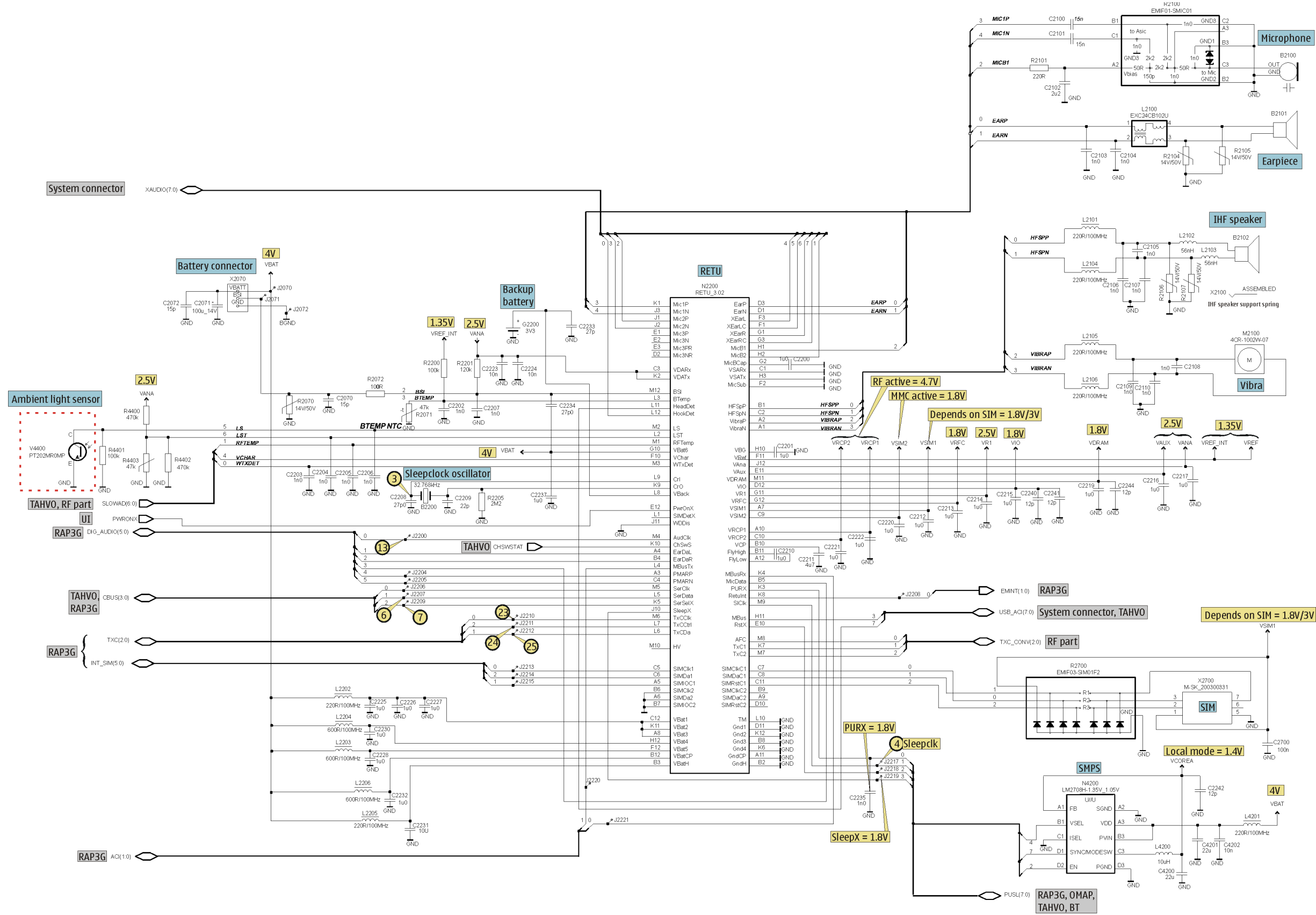
■ Baseband - RF connections



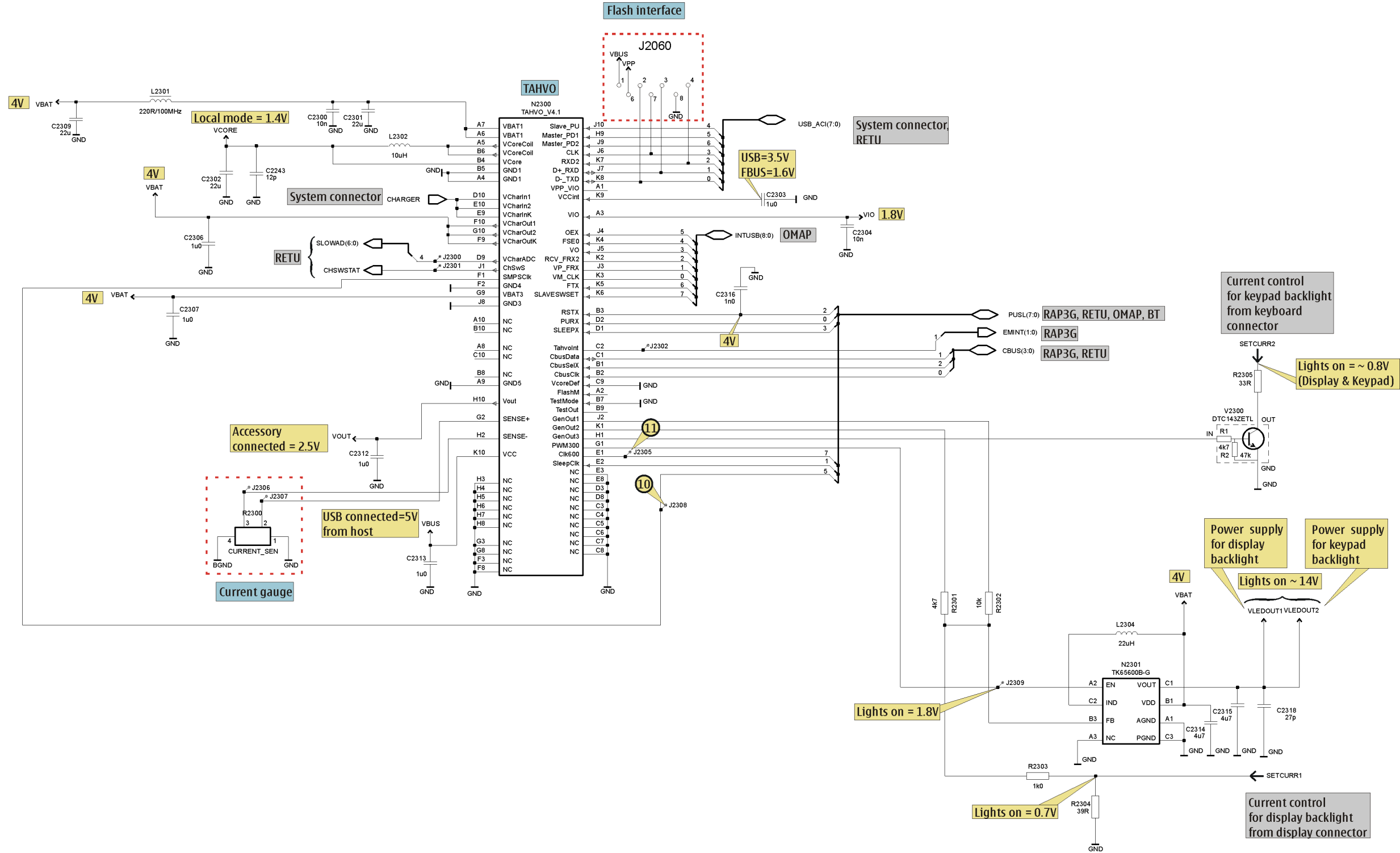
■ System connector



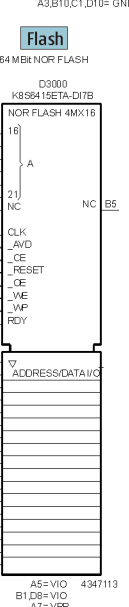
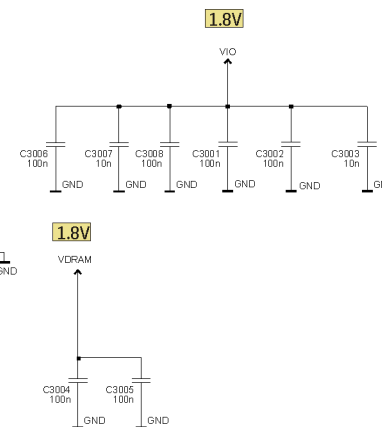
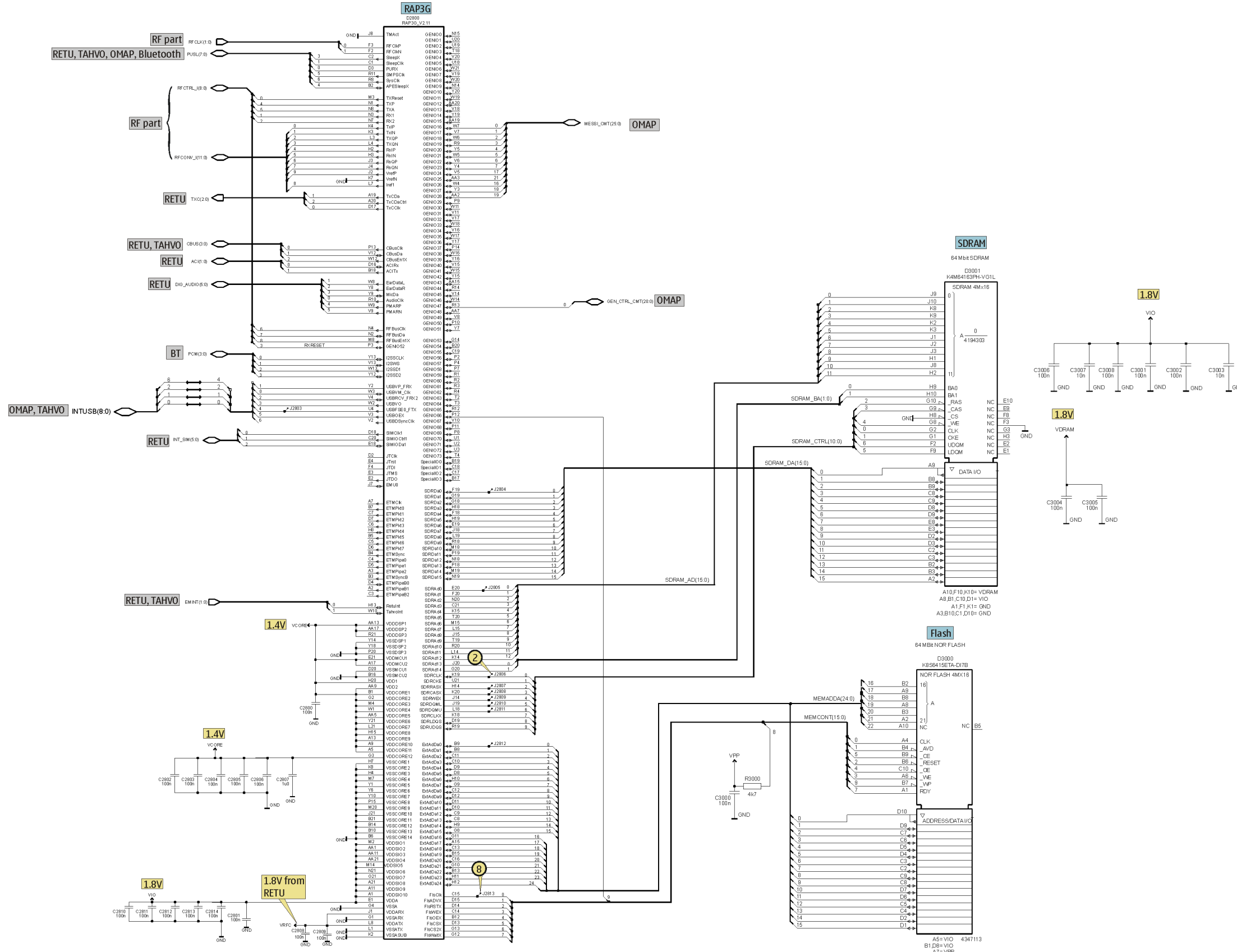
■ RETU, SIM, audio



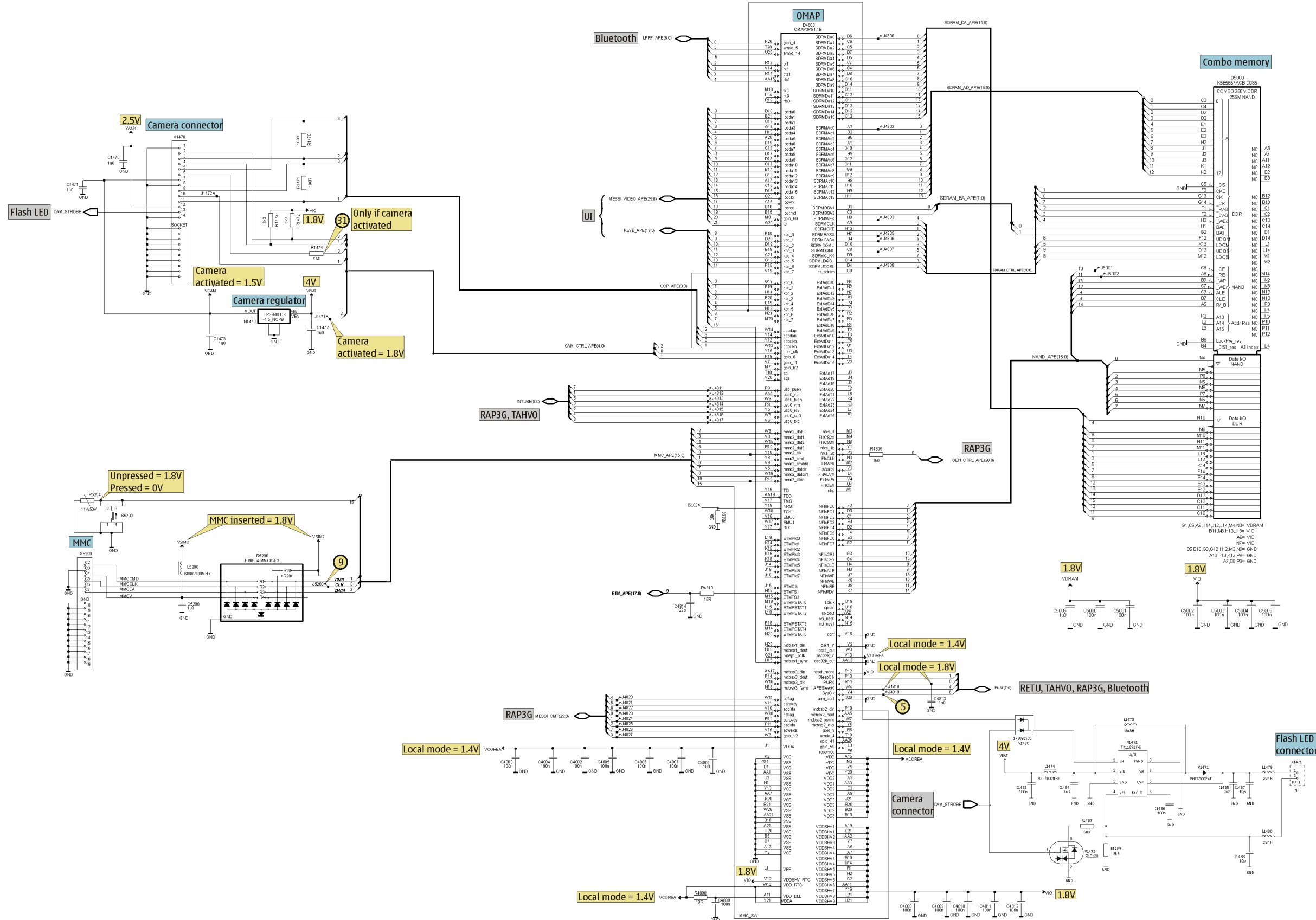
TAHVO



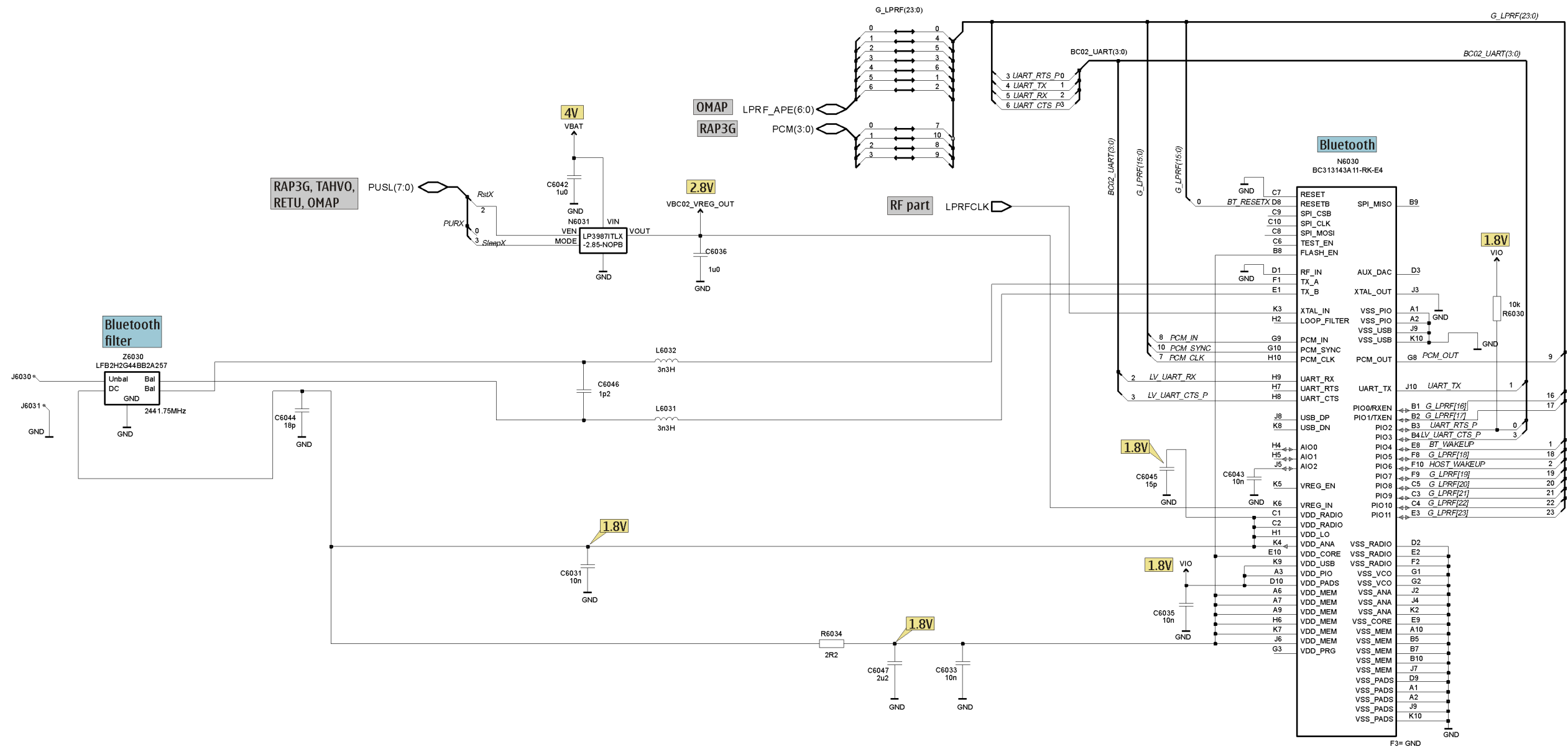
RAP3G, SDRAM, Flash



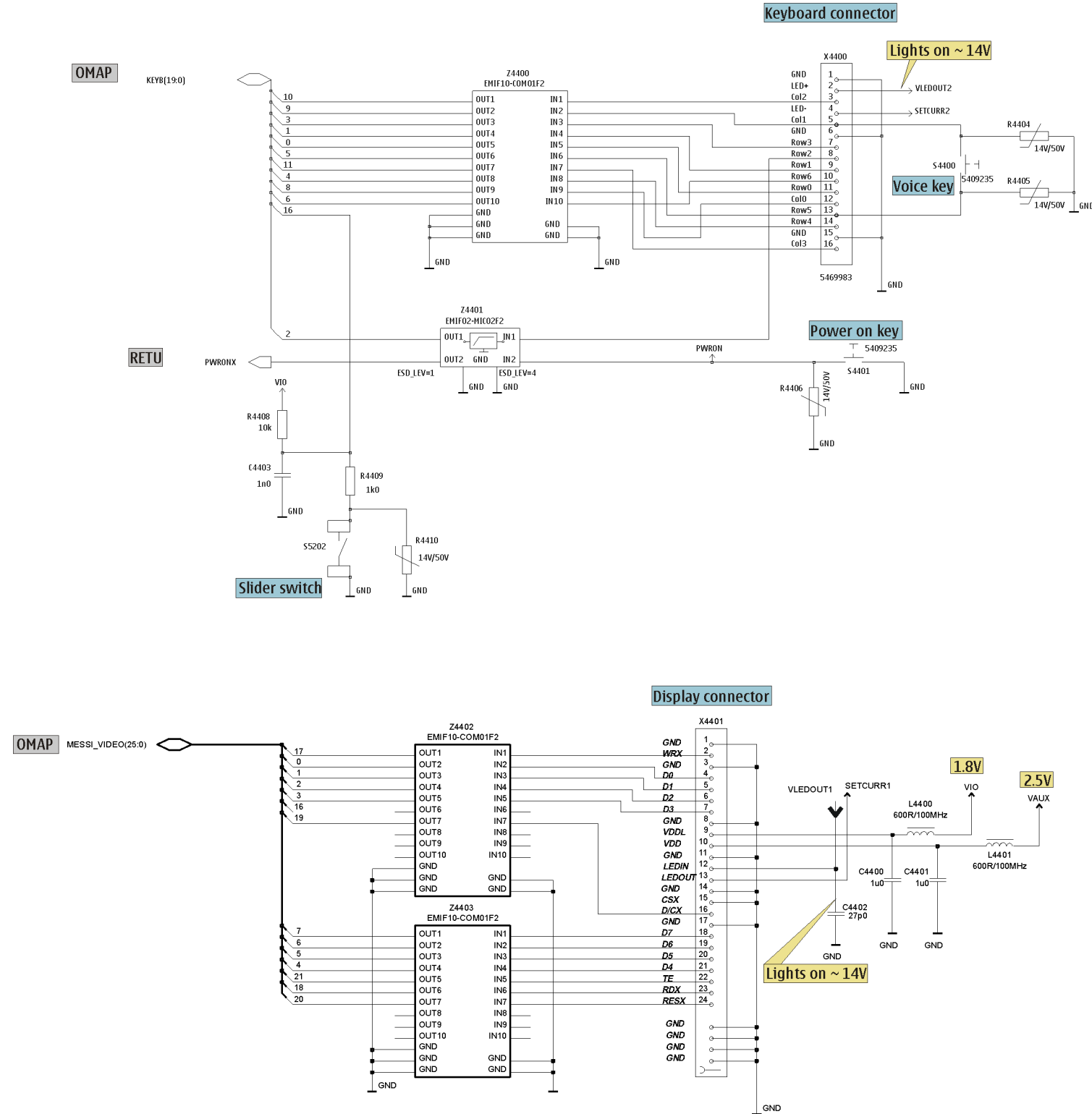
OMAP, combo memory, camera



Bluetooth



■ B to B connections



RF part

